

XW20LS

Multifunction digital controller

1. GENERAL WARNING

1.1 PLEASE READ BEFORE USING THIS MANUAL

- This manual is part of the product and should be kept near the instrument for easy and quick reference.
- The instrument shall not be used for purposes different from those described hereunder. It cannot be used as a safety device.
- Check the application limits before proceeding.

1.2 SAFETY PRECAUTIONS

- Check the supply voltage is correct before connecting the instrument.
- Do not expose to water or moisture: use the controller only within the operating limits avoiding sudden temperature changes with high atmospheric humidity to prevent formation of condensation
- Warning: disconnect all electrical connections before any kind of maintenance.
- Fit the probe where it is not accessible by the End User. The instrument must not be opened.
- In case of failure or faulty operation send the instrument back to the distributor with a detailed description of the fault.
- Consider the maximum current which can be applied to each relay (see Technical Data).
- Ensure that the wires for probes, loads and the power supply are separated and far enough from each other, without crossing or intertwining.
- In case of applications in industrial environments, the use of mains filters (our mod. FT1) in parallel with inductive loads could be useful.

2. GENERAL DESCRIPTION

Model **XW20LS**, 38x185 mm format, is microprocessor based controller suitable for applications on medium or normal temperature refrigerating units. It is provided with 2 relay outputs to control compressor and the lights.
It is also provided with 1 NTC or PTC probe input for temperature control.
An output allows the user to programme the parameter list with the "Hot Key".

3. CONTROLLING LOADS

3.1 THE COMPRESSOR

The regulation is performed according to the temperature measured by the thermostat probe with a positive differential from the set point: if the temperature increases and reaches set point plus differential the compressor is started and then turned off when the temperature reaches the set point value again.
In case of fault in the thermostat probe the start and stop of the compressor are timed through parameters "CO_n" and "CO_F".

3.2 FAST FREEZING

When defrost is not in progress, it can be activated the keypad by holding the key pressed for about 3 seconds. The compressor operates in continuous mode for the time set through the "CCt" parameter. The cycle can be terminated before the end of the set time using the same activation key, for about 3 seconds.

3.3 DEFROST

The defrost interval is control by means of parameter "EdF": (EdF=in) the defrost is made every "IdF" time, (EdF=Sd) the interval "IdF" is calculate through Smart Defrost algorithm (only when the compressor is ON).
Defrost is performed through a simple stop of the compressor. Parameter "IdF" controls the interval between defrost cycles, while its length is controlled by parameter "MdF".

4. KEYBOARD



To display and modify target set point; in programming mode it selects a parameter or confirm an operation.
By holding it pressed for 3s when max or min temperature is displayed it will be erased.

To see the max. stored temperature; in programming mode it browses the parameter codes or increases the displayed value. By holding it pressed for 3s the fast freezing cycle is started.

- To see the min stored temperature; in programming mode it browses the parameter codes or decreases the displayed value.
- By holding it pressed for 3s the defrost is started.
- Switch ON and OFF the light of the cold-room
- Switch ON and OFF the instrument.

KEY COMBINATIONS

- + To lock and unlock the keyboard.
- + To enter the programming mode.
- + To exit the programming mode.

4.1 USE OF LEDS

Each LED function is described in the following table.:

LED	MODE	Function
	ON	The compressor is running
	FLASHING	- Programming Phase (flashing with LED) - Anti-short cycle delay enabled
	ON	The defrost is enabled
	ON	The Fast Freezing cycle is enabled
	ON	The light is on
	ON	- ALARM signal - In "Pr2" indicates that the parameter is also present in "Pr1"

4.2 HOW TO SEE THE MIN TEMPERATURE

1. Press and release the key.
2. The "Lo" message will be displayed followed by the minimum temperature recorded.
3. By pressing the key or waiting for 5s the normal display will be restored.

4.3 HOW TO SEE THE MAX TEMPERATURE

1. Press and release the key.
2. The "Hi" message will be displayed followed by the maximum temperature recorded.
3. By pressing the key or waiting for 5s the normal display will be restored.

4.4 HOW TO RESET THE MAX AND MIN TEMPERATURE RECORDED

To reset the stored temperature, when max or min temperature is displayed :

1. Press SET key until "rST" label starts blinking.

N.B. After the installation RESET the temperature stored .

4.5 HOW TO SEE AND MODIFY THE SET POINT

1. Push and immediately release the key: the display will show the Set point value;
2. The SET LED start blinking;
3. To change the Set value push the or arrows within 10s.
4. To memorise the new set point value push the key again or wait 10s.

4.6 TO START A MANUAL DEFROST

1. Push the DEF key for more than 2 seconds and a manual defrost will start.

4.7 PER ACCEDERE AI PARAMETRI IN "PR1"

Per entrare nel menu parametri "Pr1" accessibili dall'utente:

1. Enter the Programming mode by pressing the Set and DOWN key for few seconds.
2. The instrument will show the first parameter present in "Pr1"


4.8 TO ENTER IN PARAMETERS LIST "PR2"

To access parameters in "Pr2":

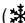

0. Enter the "Pr1" level.
1. Select "Pr2" parameter and press the "SET" key.
2. The "PAS" flashing message is displayed, shortly followed by "0 - -" with a flashing zero.
3. Use or to input the security code in the flashing digit; confirm the figure by pressing "SET". **The security code is "321"**.

- If the security code is correct the access to "Pr2" is enabled by pressing "SET" on the last digit.

Another possibility is the following: after switching ON the instrument the user can push Set and DOWN keys within 30 seconds.

NOTE: each parameter in "Pr2" can be removed or put into "Pr1" (user level) by pressing "SET" + ∇ . When a parameter is present in "Pr1" LED  is on.

4.9 HOW TO CHANGE THE PARAMETER VALUE

- Enter the Programming mode.
- Select the required parameter with \blacktriangle or \blacktriangledown .
- Press the "SET" key to display its value ( and  LED starts blinking).
- Use \blacktriangle or \blacktriangledown to change its value.
- Press "SET" to store the new value and move to the following parameter.

To exit: Press SET + UP or wait 15s without pressing a key.
NOTE: the new programming is stored even when the procedure is exited by waiting the time-out.

4.10 HOW TO LOCK THE KEYBOARD

- Keep the \blacktriangle and \blacktriangledown keys pressed together for more than 3 s the \blacktriangle and \blacktriangledown keys.
- The "POF" message will be displayed and the keyboard is locked. At this point it is only possible the viewing of the set point or the MAX o Min temperature stored and to switch ON and OFF the light, the auxiliary output and the instrument.

TO UNLOCK THE KEYBOARD

Keep the \blacktriangle and \blacktriangledown keys pressed together for more than 3s.

4.11 ON/OFF FUNCTION

By pushing the ON/OFF key, the instrument shows "OFF" for 5 sec. and the ON/OFF LED is switched ON.
 During the OFF status, all the relays are switched OFF and the regulations are stopped;
N.B. During the OFF status the Light button is active.

5. PARAMETER LIST

REGULATION

- Hy Differential:** (0,1÷25,5°C; 1÷45°F): Intervention differential for set point, always positive. Compressor Cut IN is Set Point Plus Differential (Hy). Compressor Cut OUT is when the temperature reaches the set point.
- LS Minimum set point limit:** (-50,0°C÷SET; -58°F÷SET) Sets the minimum acceptable value for the set point.
- US Maximum set point limit:** (SET÷110°C; SET÷230°F) Set the maximum acceptable value for set point.
- OdS Outputs activation delay at start up:** (0÷255 min) This function is enabled at the initial start up of the instrument and inhibits any output activation for the period of time set in the parameter. (Light can work)
- AC Anti-short cycle delay:** (0÷30 min) interval between the compressor stop and the following restart.
- CCt Thermostat override:** (0min ÷23h 50min) allows to set the length of the continuous cycle. Can be used, for instance, when the room is filled with new products.
- Con Compressor ON time with faulty probe:** (0÷255 min) time during which the compressor is active in case of faulty thermostat probe. With COn=0 compressor is always OFF.
- COF Compressor OFF time with faulty probe:** (0÷255 min) time during which the compressor is off in case of faulty thermostat probe. With COF=0 compressor is always active.
- CH Type of action:** CL = cooling; Ht = heating.

DISPLAY

- CF Temperature measurement unit:** °C = Celsius; °F = Fahrenheit. When the measurement unit is changed the SET point and the values of some parameters have to be modified.
- rES Resolution (for °C):** (in = 1°C; de = 0,1°C) allows decimal point display.
 dE = 0,1°C; in = 1 °C

DEFROST

- EdF Defrost mode:** in = interval mode. The defrost starts when the time "ldf" is expired.
- Sd = Smartfrost mode.** The time ldf (interval between defrosts) is increased only when the compressor is running, even non consecutively.
- ldF Interval between defrosts:** (1÷120h) Determines the time interval between the beginning of two defrost cycles.
- mdF (Maximum) duration of defrost:** (0÷255 min) When P2P = n, no evaporator probe, it sets the defrost duration, when P2P = y, defrost end based on temperature, it sets the maximum length for defrost.
- dFd Display during defrost:**
 rt = real temperature; it = temperature reading at the defrost start;
 Set = set point; dEF = "dEF" label; dEG = "dEG" label;
- dAd Defrost display time out:** (0÷255 min) Sets the maximum time between the end of defrost and the restarting of the real room temperature display.
- dPO First defrost after start-up:**
 y = Immediately; n = after the ldf time

dAF Defrost delay after fast freezing: (0min÷23h 50min) after a Fast Freezing cycle, the first defrost will be delayed for this time.

ALARMS

- ALC Temperature alarm configuration**
 rE = High and Low alarms related to Set Point
 Ab = High and low alarms related to the absolute temperature.
- ALU High temperature alarm setting:**
 ALC= rE, 0 + 50°C or 90°F
 ALC= Ab, ALL ÷ 110°C or 230°F
 when this temperature is reached and after the ALd delay time the HA alarm is enabled.
- ALL Low temperature alarm setting:**
 ALC = rE, 0 + 50 °C or 90°F
 ALC = Ab, - 50°C or -58°F + ALU
 when this temperature is reached and after the ALd delay time, the LA alarm is enabled.
- AFH Temperature alarm differential:** (0,1÷25,5°C; 1÷45°F) Intervention differential for temperature alarm set point, always positive.
- ALd Ritardo allarme temperatura:** (0÷255 min) intervallo di tempo tra la rilevazione di un segnale di allarme temperatura e la sua segnalazione.
- dAO Delay of temperature alarm at start-up:** (0min÷23h 50min) time interval between the detection of the temperature alarm condition after the instrument power on and the alarm signalling.
- EdA Alarm delay at the end of defrost:** (0÷255 min) Time interval between the detection of the temperature alarm condition at the end of defrost and the alarm signalling.

PROBE INPUTS

Ot Thermostat probe calibration: (-12.0±12.0°C/ -21±21°F) allows to adjust possible offset of the thermostat probe.

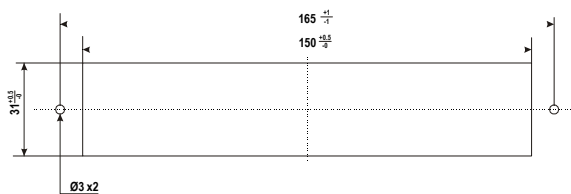
OTHER

- PbC Type of probe:** it allows to set the kind of probe used by the instrument:
 PbC = PBC probe, ntC = NTC probe.
- rEL Release software:** (read only) Software version of the microprocessor.
- Ptb Parameter table:** (read only) it shows the original code of the dixell parameter map.
- PrD Probes display:** (read only) display the temperature values of the evaporator probe Pb2.
- Pr2 Access to the protected parameter list** (read only).

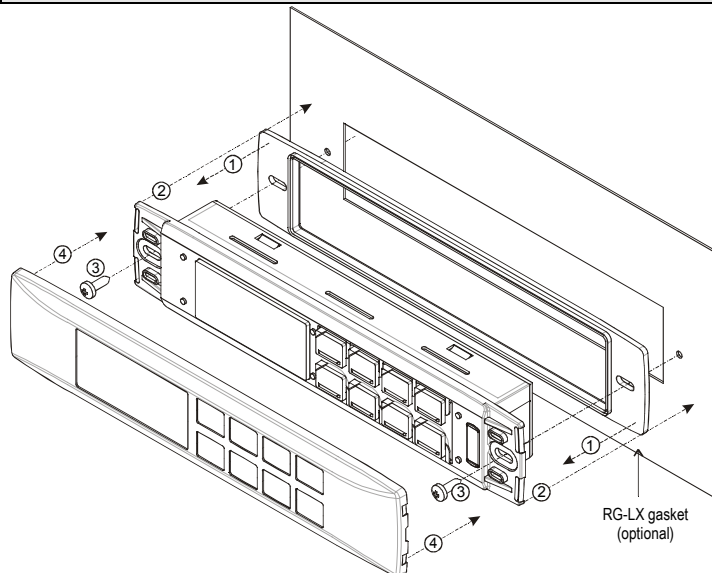
6. INSTALLATION AND MOUNTING

Instruments XW20LS shall be mounted on vertical panel, in a 150x31 mm hole, and fixed using two screws \varnothing 3 x 2mm. To obtain an IP65 protection grade use the front panel rubber gasket (mod. RG-Lx). The temperature range allowed for correct operation is 0 - 60 °C. Avoid places subject to strong vibrations, corrosive gases, excessive dirt or humidity. The same recommendations apply to probes. Let the air circulate by the cooling holes.

6.1 CUT OUT



6.2 MOUNTING



7. ELECTRICAL CONNECTIONS

The instrument is provided with faston 2.8mm for analogue inputs. Relays and power supply have a Faston connection (6,3mm). Heat-resistant cables have to be used. Before connecting cables make sure the power supply complies with the instrument's requirements. Separate the probe cables from the power supply cables, from the outputs and the power connections. Do not exceed the maximum current allowed on each relay, in case of heavier loads use a suitable external relay.

N.B. Maximum current allowed for all the loads is 20A.

7.1 PROBE CONNECTIONS

The probe shall be mounted with the bulb upwards to prevent damages due to casual liquid infiltration. It is recommended to place the thermostat probe away from air streams to correctly measure the average room temperature.

8. USE OF THE PROGRAMMING "HOT KEY"

The Wing units can UPLOAD or DOWNLOAD the parameter list from its own E2 internal memory to the "Hot Key" and vice-versa.

8.1 DOWNLOAD (FROM THE "HOT KEY" TO THE INSTRUMENT)

1. Turn OFF the instrument by means of the ON/OFF key, remove the TTL serial cable if present, insert the "Hot Key" and then turn the Wing ON.
2. Automatically the parameter list of the "Hot Key" is downloaded into the Wing memory, the "DoL" message is blinking. After 10 seconds the instrument will restart working with the new parameters.
3. Turn OFF the instrument remove the "Hot Key", plug in the TTL serial cable, then turn it ON again.

At the end of the data transfer phase the instrument displays the following messages: "end" for right programming. The instrument starts regularly with the new programming. "err" for failed programming. In this case turn the unit off and then on if you want to restart the download again or remove the "Hot key" to abort the operation.

8.2 UPLOAD (FROM THE INSTRUMENT TO THE "HOT KEY")

1. Turn OFF the instrument by means of the ON/OFF key and remove the TTL serial cable if present; then turn it ON again.
2. When the Wing unit is ON, insert the "Hot key" and push ▲ key; the "uPL" message appears.
3. Push "SET" key to start the UPLOAD; the "uPL" message is blinking.
4. Turn OFF the instrument remove the "Hot Key", plug in the TTL serial cable, then turn it ON again.

At the end of the data transfer phase the instrument displays the following messages: "end" for right programming. "err" for failed programming. In this case push "SET" key if you want to restart the programming again or remove the not programmed "Hot key".

9. ALARM SIGNALS

Mess.	Cause	Outputs
"P1"	Thermostat probe failure	Alarm output ON; Compressor output according to parameters "CO" and "COF"
"HA"	Maximum temperature alarm	Alarm output ON; Other outputs unchanged
"LA"	Minimum temperature alarm	Alarm output ON; Other outputs unchanged
"EE"	Data or memory failure	

The alarm message is displayed until the alarm condition is recovery. All the alarm messages are showed alternating with the room temperature except for the "P1" which is flashing. To reset the "EE" alarm and restart the normal functioning press any key, the "rSt" message is displayed for about 3s.

9.1 "EE" ALARM

The dixell instruments are provided with an internal check for the data integrity. Alarm "EE" flashes when a failure in the memory data occurs. In such cases the alarm output is enabled.

9.2 ALARM RECOVERY

Probe alarm: "P1" probe1 faulty it automatically stops 10s after the probe restarts normal operation. Check connections before replacing the probe.
Temperature alarms "HA" and "LA" automatically stop as soon as the thermostat temperature returns to normal values or when the defrost starts.

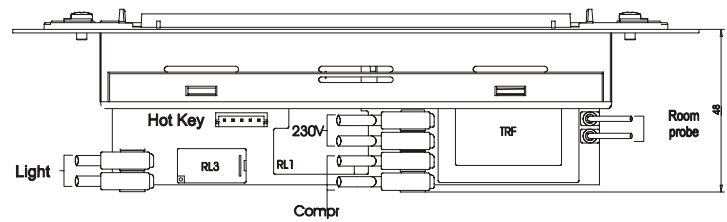
10. TECHNICAL DATA

Housing: self extinguishing ABS.
Case: facia 38x185 mm; depth 48mm
Mounting : panel mounting in a 150x31 mm panel cut-out with two screws. ∅ 3 x 2mm.
 Distance between the holes 165mm
Protection: IP20.
Frontal protection: IP65 with frontal gasket mod RG-L. (optional)
Connections: Faston 2,8mm heat-resistant wiring for probes, heat-resistant wiring and 6,3mm Faston for loads and power supply
Power supply: 230Vac or. 110Vac ± 10%
Power absorption: 3VA max.
Display: 3 digits, red LED, 14,2 mm high.

Inputs: 2 NTC probes
Relay outputs: Total current on loads MAX. 20A
compressor: relay SPST 20(8) A, 250Vac
light: relay SPST 8(3) A, 250Vac
Data storing: on the non-volatile memory (EEPROM).
Kind of action: 1B.
Pollution grade: normal
Software class: A.
Operating temperature: 0÷60 °C.
Storage temperature: -25÷60 °C.
Relative humidity: 20÷85% (no condensing)
Measuring and regulation range:
NTC probe: -40÷110°C (-58÷230°F)
Sonda PTC: -50÷150°C (-58÷302°F)
Resolution: 0,1 °C or 1°C or 1 °F (selectable).
Accuracy (ambient temp. 25°C): ±0,5 °C ±1 digit

11. CONNECTIONS

11.1 XW20LS



12. DEFAULT SETTING VALUES

Label	Name	Range	Default	Level
REGULATION				
Set	Set point	LS+US	3.0	---
Hy	Differential	0,1÷25,5 °C / 1÷45°F	2.0	Pr1
LS	Minimum set point	-50,0°C÷SET / -58°F÷SET	-10.0	Pr2
US	Maximum set point	SET ÷ 110°C / SET ÷ 230°F	20.0	Pr2
OdS	Outputs activation delay at start up	0÷255 min.	0	Pr2
AC	Anti-short cycle delay	0÷30 min.	1	Pr1
CCt	Compressor ON time during fast freezing	0 ÷ 23h 50 min.	0.0	Pr2
CO _n	Compressor ON time with faulty probe	0÷255 min.	15	Pr2
CO _F	Compressor OFF time with faulty probe	0÷255 min.	30	Pr2
CH	Type of regulation	CL, Ht	cL	Pr2
DISPLAY				
CF	Temperature measurement unit	°C ÷ °F	°C	Pr2
rES	Resolution (integer/decimal point)	in ÷ de	dE	Pr1
DEFROST				
EdF	Kind of defrost interval counting	in, Sd	in	Pr2
IdF	Interval between defrost cycles	1÷120h	8	Pr1
MdF	(Maximum) length for 1° defrost	0÷255 min.	20	Pr1
dFd	Displaying during defrost	rt, it, SEt, dEF, dEG	it	Pr2
dAd	MAX display delay after defrost	0÷255 min.	30	Pr2
dPO	First defrost after start up	n ÷ y	n	Pr2
dAF	Defrost delay after fast freezing	0 ÷ 23h 50 min.	0	Pr2
ALARMS				
ALC	Temperature alarms configuration	rE÷Ab	Ab	Pr2
ALU	MAXIMUM temperature alarm	-50,0÷110°C/ -58÷230°F	110	Pr1
ALL	minimum temperature alarm	-50,0÷110°C/ -58÷230°F	-40.0	Pr1
AFH	Differential for alarm recovery	0.1÷25,5°C/ 1÷45°F	2.0	Pr2
ALd	Temperature alarm delay	0÷255 min.	15	Pr2
dAO	Delay of temperature alarm at start up	0 ÷ 23h 50 min.	1.3	Pr2
EdA	Alarm delay at the end of defrost	0÷255 min.	30	Pr2
ANALOGUE INPUTS				
Ot	Thermostat probe calibration	-12,0÷12,0°C / -21÷21°F	0	Pr1
OTHER				
PbC	Kind of probe setting	Pbc, ntc	ntc/pbc	Pr2
rEL	Software release	---	2.0	Pr2
Ptb	Map code	---	---	Pr2
Prd	Probes display	Pb1+Pb3	---	Pr2
Pr2	Access parameter list	---	---	Pr1

Dixell S.p.A. Via dell'Industria, 27
 32010 Z.I. Pieve d'Alpago (BL) ITALY
 tel. +39 - 0437 - 98 33 - fax +39 - 0437 - 98 93 13
 E-mail: dixell@dixell.com - <http://www.dixell.com>