

Winc
XW260K

1. GENERAL WARNING

1.1 PLEASE READ BEFORE USING THIS MANUAL

- This manual is part of the product and should be kept near the instrument for easy and quick reference.
- The instrument shall not be used for purposes different from those described hereunder. It cannot be used as a safety device.
- Check the application limits before proceeding.

1.2 SAFETY PRECAUTIONS

- Check the supply voltage is correct before connecting the instrument.
- Do not expose to water or moisture: use the controller only within the operating limits avoiding sudden temperature changes with high atmospheric humidity to prevent formation of condensation
- Warning: disconnect all electrical connections before any kind of maintenance.
- Fit the probe where it is not accessible by the End User. The instrument must not be opened.
- In case of failure or faulty operation send the instrument back to the distributor or to "Dixell s.r.l." (see address) with a detailed description of the fault.
- Consider the maximum current which can be applied to each relay (see Technical Data).
- Ensure that the wires for probes, loads and the power supply are separated and far enough from each other, without crossing or intertwining.
- In case of applications in industrial environments, the use of mains filters (our mod. FT1) in parallel with inductive loads could be useful.

2. GENERAL DESCRIPTION

Model **XW260K** is microprocessor based controller suitable for applications on medium or low temperature refrigerating units. It must be connected by means of a two-wire cable (∅ 1mm) at a distance of up to 30 meters to the keyboard **T620**. It is provided with four relay outputs to control compressor, defrost - which can be either electrical or hot gas - the evaporator fans and the lights.

It is also provided with three NTC probe inputs, one for temperature control, one to control the defrost end temperature of the evaporator and the third, optional, for the display. There are two digital inputs (free contact) for the door switch and configurable by parameter.

The standard TTL output allows the user to connect, by means of a TTL/RS485 external module, a **ModBUS-RTU** compatible monitoring system and to programme the parameter list with the "Hot Key". An optional output for **RS485** direct is available.

3. CONTROLLING LOADS

3.1 THE COMPRESSOR

The regulation is performed according to the temperature measured by the thermostat probe with a positive differential from the set point: if the temperature increases and reaches set point plus differential the compressor is started and then turned off when the temperature reaches the set point value again. In case of fault in the thermostat probe the start and stop of the compressor are timed through parameters "CO_n" and "CO_F".

3.2 FAST FREEZING

When defrost is not in progress, it can be activated the keypad by holding the **▲** key pressed for about 3 seconds. The compressor operates in continuous mode for the time set through the "CC" parameter. The cycle can be terminated before the end of the set time using the same activation key, **▲** for about 3 seconds.

3.3 DEFROST

Three defrost modes are available through the "tdF" parameter: defrost with electrical heater, hot gas or thermostatic defrost. The defrost interval is control by means of parameter "EdF": (EdF=in) the defrost is made every "ldF" time, (EdF=Sd) the interval "ldF" is calculate through Smart Defrost algorithm (only when the compressor is ON and the evaporator temperature is bigger than "SdF" parameter). At the end of defrost the drip time is controlled through the "FdT" parameter.

3.4 CONTROL OF EVAPORATOR FANS

The fan control mode is selected by means of the "FnC" parameter:

- C-n** = running with the compressor, OFF during the defrost;
- C-y** = running with the compressor, ON during the defrost;
- O-n** = continuous mode, OFF during the defrost;
- O-y** = continuous mode, ON during the defrost;

An additional parameter "FSI" provides the setting of temperature, detected by the evaporator probe, above which the fans are always OFF. This can be used to make sure circulation of air only if his temperature is lower than set in "FSI".

4. KEYBOARD



- set**: To display and modify target set point; in programming mode it selects a parameter or confirm an operation. By holding it pressed for 3s when max or min temperature is displayed it will be erased.
- ▲**: To see the max. stored temperature; in programming mode it browses the parameter codes or increases the displayed value. By holding it pressed for 3s the fast freezing cycle is started.
- ▼**: To see the min stored temperature; in programming mode it browses the parameter codes or decreases the displayed value.
- ☸**: By holding it pressed for 3s the defrost is started.
- ☸**: Switch ON and OFF the cold room light.
- ⏻**: Switch ON and OFF the instrument.

KEY COMBINATIONS

- ▲** + **▼**: To lock and unlock the keyboard.
- set** + **▼**: To enter the programming mode.
- set** + **▲**: To exit the programming mode.

4.1 USE OF LEDES

Each LED function is described in the following table.

| LED | MODE | Function |
|-----|----------|--|
| ☸ | ON | The compressor is running |
| ☸ | FLASHING | - Programming Phase (flashing with LED ☸) - Anti-short cycle delay enabled |
| ☸ | ON | The fan is running |
| ☸ | FLASHING | Programming Phase (flashing with LED ☸) |
| ☸ | ON | The defrost is enabled |
| ☸ | FLASHING | Drip time in progress |
| ☸ | ON | The Fast Freezing cycle is enabled |
| ☸ | ON | - ALARM signal - In "Pr2" indicates that the parameter is also present in "Pr1" |

Function of the LEDs placed on the left top side of buttons:

| BUTTON | MODE | FUNCTION |
|---------|---------------|---|
| SET | FLASHING | The Set point is displayed and it can be modified |
| SET | FAST FLASHING | The Energy Saving is enabled |
| DEFROST | ON | The Manual Defrost is activated |
| LIGHT | ON | The Light is ON |
| ON/OFF | ON | The instrument is OFF |

4.2 HOW TO SEE THE MIN TEMPERATURE

1. Press and release the **▼** key.
2. The "Lo" message will be displayed followed by the minimum temperature recorded.
3. By pressing the **▼** key or waiting for 5s the normal display will be restored.

4.3 HOW TO SEE THE MAX TEMPERATURE

1. Press and release the **▲** key.
2. The "Hi" message will be displayed followed by the maximum temperature recorded.
3. By pressing the **▲** key or waiting for 5s the normal display will be restored.

4.4 HOW TO RESET THE MAX AND MIN TEMPERATURE RECORDED

To reset the stored temperature, when max or min temperature is displayed :

1. Press SET key until "rST" label starts blinking.

N.B. After the installation **RESET** the temperature stored .

4.5 HOW TO SEE AND MODIFY THE SET POINT

1. Push and immediately release the **SET** key: the display will show the Set point



- value;
- The SET LED start blinking;
 - To change the Set value push the \blacktriangle or \blacktriangledown arrows within 10s.
 - To memorise the new set point value push the SET key again or wait 10s.

4.6 TO START A MANUAL DEFROST



- Push the DEF key for more than 2 seconds and a manual defrost will start.

4.7 TO ENTER IN PARAMETERS LIST "PR1"

To enter the parameter list "Pr1" (user accessible parameters) operate as follows:



- Enter the Programming mode by pressing the Set and DOWN key for few seconds (☼ and ☼ start blinking).
- The instrument will show the first parameter present in "Pr1"

4.8 TO ENTER IN PARAMETERS LIST "PR2"

To access parameters in "Pr2":

- Enter the "Pr1" level.
- Select "Pr2" parameter and press the "SET" key.
- The "PAS" flashing message is displayed, shortly followed by "0 -" with a flashing zero.
- Use \blacktriangle or \blacktriangledown to input the security code in the flashing digit; confirm the figure by pressing "SET". The security code is "321".
- If the security code is correct the access to "Pr2" is enabled by pressing "SET" on the last digit.

Another possibility is the following: after switching ON the instrument the user can push Set and DOWN keys within 30 seconds.

NOTE: each parameter in "Pr2" can be removed or put into "Pr1" (user level) by pressing "SET" + \square . When a parameter is present in "Pr1" LED (☼) is on.

4.9 HOW TO CHANGE THE PARAMETER VALUE

- Enter the Programming mode.
 - Select the required parameter with \blacktriangle or \blacktriangledown .
 - Press the "SET" key to display its value (☼ and ☼ LED starts blinking).
 - Use \square or \square to change its value.
 - Press "SET" to store the new value and move to the following parameter.
- To exit:** Press SET + UP or wait 15s without pressing a key.
- NOTE:** the new programming is stored even when the procedure is exited by waiting the time-out.

4.10 HOW TO LOCK THE KEYBOARD



- Keep the \blacktriangle and \blacktriangledown keys pressed together for more than 3 s the \blacktriangle and \blacktriangledown keys.
- The "POF" message will be displayed and the keyboard is locked. At this point it is only possible the viewing of the set point or the MAX o Min temperature stored and to switch ON and OFF the light, the auxiliary output and the instrument.



TO UNLOCK THE KEYBOARD

Keep the \blacktriangle and \blacktriangledown keys pressed together for more than 3s.

4.11 ON/OFF FUNCTION



By pushing the ON/OFF key, the instrument shows "OFF" for 5 sec. and the ON/OFF LED is switched ON. During the OFF status, all the relays are switched OFF and the regulations are stopped; if a monitoring system is connected, it does not record the instrument data and alarms. **N.B. During the OFF status the Light and AUX buttons are active.**

4.12 TO SEE THE PROBE VALUES

- Enter in "Pr2" level.
- Select "Prd" parameter with \blacktriangle or \blacktriangledown .
- Press the "SET" key to display "Pb1" label alternate with Pb1 value.
- Use \blacktriangle and \blacktriangledown keys to display the other probe values.
- Press "SET" to move to the following parameter.

5. PARAMETER LIST

REGULATION

- Hy Differential:** (0,1+25,5°C; 1+45°F): Intervention differential for set point, always positive. Compressor Cut IN is Set Point Plus Differential (Hy). Compressor Cut OUT is when the temperature reaches the set point.
- LS Minimum set point limit:** (-50,0°C+SET; -58°F+SET) Sets the minimum acceptable value for the set point.
- US Maximum set point limit:** (SET+110°C; SET+230°F) Set the maximum acceptable value for set point.
- OdS Outputs activation delay at start up:** (0+255 min) This function is enabled at the initial start up of the instrument and inhibits any output activation for the period of time set in the parameter. (AUX and Light can work)
- AC Anti-short cycle delay:** (0+30 min) interval between the compressor stop and the following restart.
- CCt Thermostat override:** (0min +23h 50min) allows to set the length of the continuous cycle. Can be used, for instance, when the room is filled with new products.
- Con Compressor ON time with faulty probe:** (0+255 min) time during which the compressor is active in case of faulty thermostat probe. With Con=0 compressor is always OFF.
- COF Compressor OFF time with faulty probe:** (0+255 min) time during which the compressor is off in case of faulty thermostat probe. With COF=0 compressor is always active.

DISPLAY

- CF Temperature measurement unit:** °C = Celsius; °F = Fahrenheit . When the measurement unit is changed the SET point and the values of the regulation parameters have to be modified
- rES Resolution (for °C):** (in = 1°C; de = 0,1°C) allows decimal point display.
- de = 0,1°C**

in = 1 °C

Red Remote display : select which probe is displayed by the remote display (T620)

- P1 = Thermostat probe**
P2 = Evaporator probe
P3 = auxiliary probe
1r2 = difference between P1 and P2 (P1-P2)

DEFROST

tdF Defrost type:

- rE = electrical heater (Compressor OFF)**
rT = thermostat defrost. During the defrost time "MdF", the heater switches On and OFF depending on the evaporator temperature and "dtE" value.
in = hot gas (Compressor and defrost relays ON)

EdF Defrost mode:

- in = interval mode.** The defrost starts when the time "ldf" is expired.
Sd = Smartfrost mode. The time ldf (interval between defrosts) is increased only when the compressor is running (even non consecutively) and only if the evaporator temperature is less than the value in "SdF" (set point for SMARTFROST).

SdF Set point for SMARTFROST: (-30+30 °C/ -22+86 °F) evaporator temperature which allows the ldf counting (interval between defrosts) in SMARTFROST mode.

dtE Defrost termination temperature: (-50,0+110,0°C; -58+230°F) (Enabled only when the evaporator probe is present) sets the temperature measured by the evaporator probe which causes the end of defrost.

ldF Interval between defrosts: (1+120h) Determines the time interval between the beginning of two defrost cycles.

MdF (Maximum) duration of defrost: (0+255 min) When **P2P = n**, no evaporator probe, it sets the defrost duration, when **P2P = y**, defrost end based on temperature, it sets the maximum length for defrost.

dFd Display during defrost:

- rt = real temperature;**
it = temperature reading at the defrost start;
Set = set point;
dEF = "dEF" label;
dEG = "dEG" label;

dAd Defrost display time out: (0+255 min) Sets the maximum time between the end of defrost and the restarting of the real room temperature display.

Fdt Drain down time: (0+60 min.) time interval between reaching defrost termination temperature and the restoring of the control's normal operation. This time allows the evaporator to eliminate water drops that might have formed due to defrost.

dPO First defrost after start-up:

- y = Immediately;**
n = after the ldf time

dAF Defrost delay after fast freezing: (0min+23h 50min) after a Fast Freezing cycle, the first defrost will be delayed for this time.

FANS

FnC Fan operating mode:

- C-n = running with the compressor, OFF during the defrost;**
C-y = running with the compressor, ON during the defrost;
O-n = continuous mode, OFF during the defrost;
O-y = continuous mode, ON during the defrost;

Fnd Fan delay after defrost: (0+255 min) The time interval between the defrost end and evaporator fans start.

FSt Fan stop temperature: (-50+110°C; -58+230°F) setting of temperature, detected by evaporator probe, above which the fan is always OFF.

ALARMS

ALC Temperature alarm configuration

- rE = High and Low alarms related to Set Point**
Ab = High and low alarms related to the absolute temperature.

ALU High temperature alarm setting:

- ALC= rE, 0 + 50°C or 90°F**
ALC= Ab, ALL + 110°C or 230°F
 when this temperature is reached and after the Ald delay time the HA alarm is enabled.

ALL Low temperature alarm setting:

- ALC = rE, 0 + 50 °C or 90°F**
ALC = Ab, - 50°C or -58°F + ALU
 when this temperature is reached and after the Ald delay time, the LA alarm is enabled..

AFH Temperature alarm and fan differential: (0,1+25,5°C; 1+45°F) Intervention differential for temperature alarm set point and fan regulation set point, always positive.

Ald Temperature alarm delay: (0+255 min) time interval between the detection of an alarm condition and the corresponding alarm signalling.

dAO Delay of temperature alarm at start-up: (0min+23h 50min) time interval between the detection of the temperature alarm condition after the instrument power on and the alarm signalling.

EdA Alarm delay at the end of defrost: (0+255 min) Time interval between the detection of the temperature alarm condition at the end of defrost and the alarm signalling.

dot Delay of temperature alarm after closing the door : (0+255 min) Time delay to signal the temperature alarm condition after closing the door.

doA Open door alarm delay:(0+255 min) delay between the detection of the open door condition and its alarm signalling: the flashing message "dA" is displayed.

nPS Pressure switch number: (0 +15) Number of activation of the pressure switch, during the "did" interval, before signalling the alarm event (I2F= PAL).

PROBE INPUTS

Ot Thermostat probe calibration: (-12,0+12,0°C/ -21+21°F) allows to adjust possible offset of the thermostat probe.

OE Evaporator probe calibration: (-12,0+12,0°C/ -21+21°F) allows to adjust possible offsets of the evaporator probe.

O3 Auxiliary probe calibration: (-12,0+12,0°C/ -21+21°F) allows to adjust possible offsets of the evaporator probe.

P2P Evaporator probe presence:

- n = not present: the defrost stops only by time; y = present: the defrost stops by temperature and time.**

P3P Auxiliary probe presence: n = not present; y = present.

HES Temperature increase during the Energy Saving cycle : (-30,0°C + 30,0°C / -22+86°F) sets the increasing value of the set point during the Energy Saving cycle.

DIGITAL INPUTS

odc Compressor and fan status when open door:

no = normal;
 Fan = Fan OFF;
 CP = Compressor OFF;
 F_C = Compressor and fan OFF.

I1P Door switch input polarity:
 CL : the digital input is activated by closing the contact;
 OP : the digital input is activated by opening the contact.

I2P Configurable digital input polarity:
 CL : the digital input is activated by closing the contact;
 OP : the digital input is activated by opening the contact

I2F Digital input operating mode: configure the digital input function:

EAL = generic alarm;
 bAL = serious alarm mode;
 PAL = Pressure switch;
 dFr = Start defrost;
 AUS = Not used;
 Es = Energy Saving;
 onF = remote On/OFF.

did Time interval/delay for digital input alarm:(0÷255 min.) Time interval to calculate the number of the pressure switch activation when I2F=PAL. If I2F=EAL or bAL (external alarms), "did" parameter defines the time delay between the detection and the successive signalling of the alarm.

OTHER

Adr RS485 serial address (1÷247): Identifies the instrument address when connected to a ModBUS compatible monitoring system.

Rel Release software: (read only) Software version of the microprocessor.

Ptb Parameter table: (read only) it shows the original code of the **dixell** parameter map.

Prd Probes display: (read only) display the temperature values of the evaporator probe Pb2 and the auxiliary probe Pb3.

Pr2 Access to the protected parameter list (read only).

6. DIGITAL INPUTS

The Wing series can support up to 2 free contact digital inputs. One is always configured as door switch, the second is programmable in seven different configurations by the 'I2F' parameter.

6.1 DOOR SWITCH INPUT

It signals the door status and the corresponding relay output status through the "odc" parameter:

no = normal (any change);
 Fan = Fan OFF;
 CP = Compressor OFF;
 F_C = Compressor and fan OFF.

Since the door is opened, after the delay time set through parameter "dOA", the alarm output is enabled and the display shows the message "dA". The alarm stops as soon as the external digital input is disabled again. During this time and then for the delay "dot" after closing the door, the high and low temperature alarms are disabled.

6.2 CONFIGURABLE INPUT - GENERIC ALARM (EAL)

As soon as the digital input is activated the unit will wait for "did" time delay before signalling the "EAL" alarm message. The outputs status don't change. The alarm stops just after the digital input is deactivated.

6.3 CONFIGURABLE INPUT - SERIOUS ALARM MODE (BAL)

When the digital input is activated, the unit will wait for "did" delay before signalling the "BAL" alarm message. The relay outputs are switched OFF. The alarm will stop as soon as the digital input is deactivated.

6.4 CONFIGURABLE INPUT - PRESSURE SWITCH (PAL)

If during the interval time set by "did" parameter, the pressure switch has reached the number of activation of the "nPS" parameter, the "PAL" pressure alarm message will be displayed. The compressor and the regulation are stopped. When the digital input is ON the compressor is always OFF.

6.5 CONFIGURABLE INPUT - START DEFROST (DFR)

It executes a defrost if there are the right conditions. After the defrost is finished, the normal regulation will restart only if the digital input is disabled otherwise the instrument will wait until the "Mdf" safety time is expired.

6.6 CONFIGURABLE INPUT - ENERGY SAVING (ES)

The Energy Saving function allows to change the set point value as the result of the SET+ HES (parameter) sum. This function is enabled until the digital input is activated.

6.7 CONFIGURABLE INPUT - REMOTE ON/OFF (ONF)

This function allows to switch ON and OFF the instrument.

6.8 DIGITAL INPUTS POLARITY

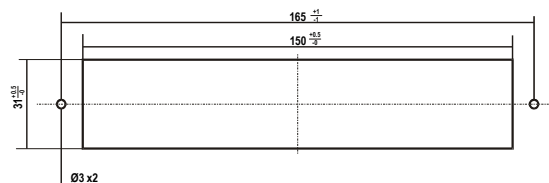
The digital inputs polarity depends on "I1P" and "I2P" parameters.

CL : the digital input is activated by closing the contact.
 OP : the digital input is activated by opening the contact

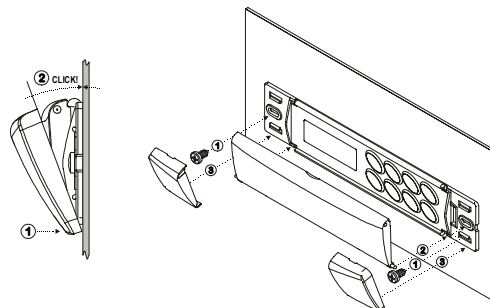
7. INSTALLATION AND MOUNTING

T620 keyboard shall be mounted on vertical panel, in a 150x31 mm hole, and fixed using two screws \varnothing 3 x 2mm. To obtain an IP65 protection grade use the front panel rubber gasket (mod. RG-L). Power module XW260K shall be mounted in a panel with two or more screws and it must be connected to the keyboard by means of a two-wire cable (\varnothing 1mm). The temperature range allowed for correct operation is 0 - 60 °C. Avoid places subject to strong vibrations, corrosive gases, excessive dirt or humidity. The same recommendations apply to probes. Let the air circulate by the cooling holes.

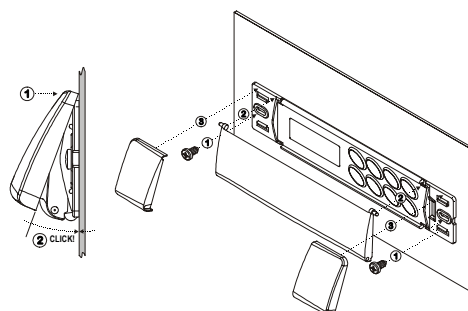
7.1 T620 CUT OUT



7.2 MOUNTING WITH KEYBOARD COVER OPENING DOWNWARD



7.3 MOUNTING WITH KEYBOARD COVER OPENING UPWARD



8. ELECTRICAL CONNECTIONS

XW260K is provided with screw terminal blocks to connect cables with a cross section up to 2,5 mm² for the RS485(optional) and the keyboard. Connecting other inputs, power supply and relays, XW260K is provided with Faston connections (6,3mm). Heat-resistant cables have to be used. Before connecting cables make sure the power supply complies with the instrument's requirements. Separate the probe cables from the power supply cables, from the outputs and the power connections. Do not exceed the maximum current allowed on each relay, in case of heavier loads use a suitable external relay. N.B. Maximum current allowed for all the loads is 20A.

8.1 PROBE CONNECTIONS

The probes shall be mounted with the bulb upwards to prevent damages due to casual liquid infiltration. It is recommended to place the thermostat probe away from air streams to correctly measure the average room temperature. Place the defrost termination probe among the evaporator fins in the coldest place, where most ice is formed, far from heaters or from the warmest place during defrost, to prevent premature defrost termination.

9. TTL/RS485 SERIAL LINE

The TTL connector allows, by means of the external module TTL/RS485 (XJ485), to connect the unit to a network line ModBUS-RTU compatible as the **dixell** monitoring system XJ500 (Version 3.0). The same TTL connector is used to upload and download the parameter list of the "HOT KEY". The instruments can be ordered with the serial output RS485(Optional).

10. USE OF THE PROGRAMMING "HOT KEY"

The Wing units can UPLOAD or DOWNLOAD the parameter list from its own E2 internal memory to the "Hot Key" and vice-versa.

10.1 DOWNLOAD (FROM THE "HOT KEY" TO THE INSTRUMENT)

1. Turn OFF the instrument by means of the ON/OFF key, remove the TTL serial cable if present, insert the "Hot Key" and then turn the Wing ON.
2. Automatically the parameter list of the "Hot Key" is downloaded into the Wing memory, the "DoL" message is blinking. After 10 seconds the instrument will restart working with the new parameters.
3. Turn OFF the instrument remove the "Hot Key", plug in the TTL serial cable, then turn it ON again.

At the end of the data transfer phase the instrument displays the following messages:

- "end " for right programming.
The instrument starts regularly with the new programming.
- "err" for failed programming.
In this case turn the unit off and then on if you want to restart the download again or remove the "Hot key" to abort the operation.

10.2 UPLOAD (FROM THE INSTRUMENT TO THE "HOT KEY")

1. Turn OFF the instrument by means of the ON/OFF key and remove the TTL serial cable if present; then turn it ON again.
2. When the Wing unit is ON, insert the "Hot key" and push \blacktriangle key; the "uPL" message appears.
3. Push "SET" key to start the UPLOAD; the "uPL" message is blinking.
4. Turn OFF the instrument remove the "Hot Key", plug in the TTL serial cable, then turn it ON again.

At the end of the data transfer phase the instrument displays the following messages:
 "end" for right programming.
 "err" for failed programming. In this case push "SET" key if you want to restart the programming again or remove the not programmed "Hot key".

11. ALARM SIGNALS

| Message | Cause | Outputs |
|---------|---------------------------|--|
| "P1" | Thermostat probe failure | Alarm output ON; Compressor output according to parameters "COn" and "COF" |
| "P2" | Evaporator probe failure | Alarm output ON; Other outputs unchanged |
| "P3" | Auxiliary probe failure | Alarm output ON; Other outputs unchanged |
| "HA" | Maximum temperature alarm | Alarm output ON; Other outputs unchanged |
| "LA" | Minimum temperature alarm | Alarm output ON; Other outputs unchanged |
| "EE" | Data or memory failure | Alarm output ON; Other outputs unchanged |
| "dA" | Door switch alarm | Alarm output ON; Other outputs unchanged |
| "EAL" | External alarm | Alarm output ON; Other outputs unchanged |
| "BAL" | Serious external alarm | Alarm output ON; Other outputs OFF |
| "PAL" | Pressure switch alarm | Alarm output ON; Other outputs OFF |

The alarm message is displayed until the alarm condition is recovery.
 All the alarm messages are shown alternating with the room temperature except for the "P1" which is flashing.
 To reset the "EE" alarm and restart the normal functioning press any key, the "rSt" message is displayed for about 3s.

11.1 SILENCING BUZZER

Once the alarm signal is detected the buzzer can be silenced by pressing any key. Buzzer is mounted in the T620 keyboard and it is an option.

11.2 "EE" ALARM

The dixell instruments are provided with an internal check for the data integrity. Alarm "EE" flashes when a failure in the memory data occurs. In such cases the alarm output is enabled.

11.3 ALARM RECOVERY

Probe alarms : "P1" (probe1 faulty), "P2" and "P3"; they automatically stop 10s after the probe restarts normal operation. Check connections before replacing the probe.
 Temperature alarms "HA" and "LA" automatically stop as soon as the thermostat temperature returns to normal values or when the defrost starts.
 Door switch alarm "dA" stop as soon as the door is closed.
 External alarms "EAL", "BAL" stop as soon as the external digital input is recovered by switching OFF the instrument.

12. TECHNICAL DATA

T620 keyboard

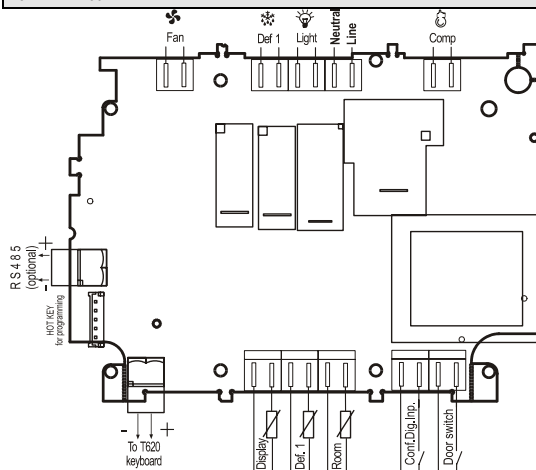
Housing: self extinguishing ABS
Case: facia 38x185 mm; depth 23mm
Mounting :
 panel mounting in a 150x31 mm panel cut-out with two screws. \varnothing 3 x 2mm.
 Distance between the holes 165mm
Protection: IP20.
Frontal protection: IP65 with frontal gasket mod RG-L. (optional)
Connections: Screw terminal block \leq 2,5 mm² heat-resistant wiring and 6,3mm
Power supply: from XW260K power module
Display: 3 digits, red LED, 14,2 mm high.
Optional output: buzzer

Power module XW260K

Case:
 "OS": open board 132x 94 mm; height: 40mm.
 "OA": open board with aluminium protection 176x 123mm; height: 52mm.
 "GS": case 155x114; height 70mm. Self extinguishing ABS. IP55
 "PS": case 147x110; height 47mm. Self extinguishing ABS. IP55. UL approved
Connections: Screw terminal block \leq 2,5 mm² heat-resistant wiring and 6,3mm Faston
Power supply: 230Vac or. 110Vac \pm 10%
Power absorption: 10VA max.
Inputs: 3 NTC probes
Digital inputs: 2 free voltage
Relay outputs: Total current on loads MAX. 20A
 compressor: relay SPST 20(8) A, 250Vac
 light: relay SPST 16(3) A, 250Vac
 fans: relay SPST 8(3) A, 250Vac
 defrost: relay SPST 8(3) A, 250Vac
Serial output : TTL standard. RS485 optional
Communication protocol: Modbus - RTU
Data storing: on the non-volatile memory (EEPROM).
Kind of action: 1B.
Pollution grade: normal
Software class: A
Operating temperature: 0+60 °C.
Storage temperature: -25+60 °C.
Relative humidity: 20-85% (no condensing)
Measuring and regulation range: NTC probe: -40+110°C (-58+230°F)
Resolution: 0,1 °C or 1°C or 1 °F (selectable).
Accuracy (ambient temp. 25°C): \pm 0,5 °C \pm 1 digit

13. CONNECTIONS

13.1 XW260K



T620 Keyboard



To XW260K

| Connector number | Description | Connector number | Description |
|------------------|-----------------------------|------------------|------------------|
| HOT KEY | Hot key for programming | 9 - 10 | Door switch |
| RS485 (Optional) | RS485 direct output | 13 - 14 | Compressor relay |
| KEY (+) | + : connection for keyboard | 15 | Phase |
| KEY (-) | - : connection for keyboard | 16 | Neutral |
| 1 - 2 | Display probe | 17 - 18 | Light relay |
| 3 - 4 | Defrost probe | 19 - 20 | Defrost relay |
| 5 - 6 | Room probe | 21 - 22 | Fan relay |
| 7 - 8 | Configurable digital input | | |

14. DEFAULT SETTING VALUES

| Label | Name | Range | Default | Level |
|-------------------|--|---------------------------|---------|-------|
| REGULATION | | | | |
| Set | Set point | LS+US | -5/23 | Pr1 |
| Hy | Differential | 0,1+25,5 °C / 1+45°F | 2/4 | Pr1 |
| LS | Minimum set point | -50,0°C+SET / -58°F+SET | -30/-22 | Pr2 |
| US | Maximum set point | SET + 110°C / SET + 230°F | 20/68 | Pr2 |
| Ods | Outputs activation delay at start up | 0+255 min. | 1 | Pr2 |
| AC | Anti-short cycle delay | 0+30 min. | 1 | Pr1 |
| CcT | Compressor ON time during fast freezing | 0 + 23h 50 min. | 0 | Pr2 |
| COn | Compressor ON time with faulty probe | 0+255 min. | 15 | Pr2 |
| COF | Compressor OFF time with faulty probe | 0+255 min. | 30 | Pr2 |
| DISPLAY | | | | |
| CF | Temperature measurement unit | °C + °F | °C | Pr2 |
| rES | Resolution (integer/decimal point) | in + de | de | Pr1 |
| Lod | Visualizzazione su display | P1 + 1r2 | P1 | Pr2 |
| Red | Remote display | P1 + 1r2 | P1 | Pr2 |
| DEFROST | | | | |
| tdF | Defrost type | rE, rT, in | RE | Pr1 |
| EdF | Defrost mode | In, Sd | In | Pr2 |
| SdF | Set point for SMART DEFROST | -30 + +30°C / -22+86°F | 0/32 | Pr2 |
| dtE | Defrost termination temperature (1°Evaporator) | -50,0+110°C / -58+230°F | 8/46 | Pr1 |
| ldF | Interval between defrost cycles | 1+120h | 6 | Pr1 |
| MdF | (Maximum) length for 1° defrost | 0+255 min. | 30 | Pr1 |
| dFd | Displaying during defrost | rt, it, SET, dEF, dEG | It | Pr2 |
| dAd | MAX display delay after defrost | 0+255 min. | 30 | Pr2 |
| Fdt | Draining time | 0+60 min. | 0 | Pr2 |
| dPO | First defrost after start up | n + y | N | Pr2 |
| dAF | Defrost delay after fast freezing | 0 + 23h 50 min. | 2 | Pr2 |
| FANS | | | | |
| FnC | Fans operating mode | C-n, C-y, O-n, O-y | O-n | Pr2 |
| Fnd | Fans delay after defrost | 0+255 min. | 10 | Pr2 |
| FSt | Fans stop temperature | -50,0+110°C / -58+230°F | 2/35 | Pr2 |

| ALARMS | | | | |
|-----------------|---|----------------------------------|-------|-----|
| ALC | Temperature alarms configuration | rE+Ab | rE | Pr2 |
| ALU | MAXIMUM temperature alarm | -50,0+110°C / -58+230°F | 10/20 | Pr1 |
| ALL | minimum temperature alarm | -50,0+110°C / -58+230°F | 10/20 | Pr1 |
| AFH | Temperature alarm and fan differential | 0,1+25,5 °C / 1+45°F | 2/4 | Pr2 |
| ALd | Temperature alarm delay | 0+255 min. | 15 | Pr2 |
| dAO | Delay of temperature alarm at start up | 0 + 23h 50 min. | 1,3 | Pr2 |
| EdA | Alarm delay at the end of defrost | 0+255 min. | 30 | Pr2 |
| dot | Delay of temperature alarm after closing the door | 0+255 min. | 15 | Pr2 |
| dOA | Open door alarm delay | 0+255 min. | 15 | Pr2 |
| nPS | Pressure switch activation number | 0+15 | 0 | Pr2 |
| ANALOGUE INPUTS | | | | |
| Ot | Thermostat probe calibration | -12,0+12,0°C / -21+21°F | 0 | Pr1 |
| OE | Evaporator probe calibration | -12,0+12,0°C / -21+21°F | 0 | Pr2 |
| O3 | Auxiliary probe calibration | -12,0+12,0°C / -21+21°F | 0 | Pr2 |
| P2P | Evaporator probe presence | n + y | y | Pr2 |
| P3P | Auxiliary probe presence | n + y | n | Pr2 |
| HES | Temperature increase during the Energy Saving cycle | -30+30°C / -22+86°F | 0 | Pr2 |
| DIGITAL INPUTS | | | | |
| Odc | Open door control | No, Fan, CPr, F_C | Fan | Pr2 |
| I1P | Door switch polarity | CL+OP | CL | Pr2 |
| I2P | Configurable digital input polarity | CL+OP | CL | Pr2 |
| i2F | Digital input configuration | EAL, bAL, PAL, dFr, AUS, ES, OnF | EAL | Pr2 |
| dId | Digital input alarm delay | 0+255 min. | 5 | Pr2 |
| OTHER | | | | |
| Adr | Serial address | 0+247 | 1 | Pr1 |
| rEL | Software release | --- | --- | Pr2 |
| Ptb | Map code | --- | --- | Pr2 |
| Prd | Probes display | Pb1+Pb3 | --- | Pr2 |
| Pr2 | Access parameter list | --- | --- | Pr1 |