

AD2-28 INSTRUCTIONS FOR USE

Thank you for having chosen an LAE electronic product. Before installing the instrument, please read this instruction booklet carefully in order to ensure safe installation and optimum performance.

DESCRIPTION



Fig.1 - Front panel

- Info / Setpoint button.
- Manual defrost / Decrease button.

INDICATIONS

- Thermostat output
- Fan output
- Defrost output
- Activation of 2nd parameter set
- Alarm
- Manual activation / Increase button.
- Exit / Stand-by button.

INSTALLATION

- The AD2-28 controller, size 107x95x47 mm (WxHxD), is to be secured to a DIN rail in such a position as to ensure that no liquid infiltrates causing serious damage and compromising safety.
- Make sure that electrical connections comply with the paragraph "wiring diagrams". To reduce the effects of electromagnetic disturbance, keep the sensor and signal cables well separate from the power wires.
- Place the probe T1 inside the room in a point that truly represents the temperature of the stored product.
- Place the probe T2 on the evaporator where there is the maximum formation of frost.
- The function of probe T3 is determined by the parameter T3. With T3=DSP the probe measures the temperature to be displayed. With T3=CND the probe measures the condenser temperature, it must therefore be placed between the fins of the condensing unit. With T3=2EU the probe measures the temperature of the second evaporator and it must therefore be placed where there is the maximum formation of frost. With T3=NON, the third probe is disabled.

OPERATION

DISPLAY

During normal operation, the display shows either the temperature measured or one of the following indications:

dEF	Defrost in progress	hP	Condenser high pressure alarm
oFF	Controller in stand-by	h ₁	Room high temperature alarm
cL	Condenser clean warning	L ₀	Room low temperature alarm
dO	Door open alarm	E 1	Probe T1 failure
hC	Condenser high temperature alarm	E 2	Probe T2 failure
		E 3	Probe T3 failure

INFO MENU

The information available in this menu is:

E 1	Instant probe 1 temperature	E h ₁	Maximum probe 1 temperature recorded
E 2	Instant probe 2 temperature	E L ₀	Minimum probe 1 temperature recorded
E 3	Instant probe 3 temperature	cnd**	Compressor working weeks
		L _{oc}	Keypad state lock

** : displayed only if enabled (see §Configuration Parameters) ** : displayed only if ACC > 0

Access to menu and information displayed.

- Press and immediately release button (I).
- With button (V) or (A) select the data to be displayed.
- Press button (I) to display value.
- To exit from the menu, press button (X) or wait for 10 seconds.
- Reset of THI, TLO, CND recordings**
 - With button (V) or (A) select the data to be reset.
 - Display the value with button (I).
 - While keeping button (I) pressed, use button (X).

SETPOINT : display and modification

- Press button (I) for at least half second, to display the setpoint value.
- By keeping button (I) pressed, use button (V) or (A) to set the desired value (adjustment is within the minimum SPL and the maximum SPH limit).
- When button (I) is released, the new value is stored.

STAND-BY

Button (S), when pressed for 3 seconds, allows the controller to be put on a standby or output control to be resumed (with SB=YES only).

KEYPAD LOCK

The keypad lock avoids undesired, potentially dangerous operations, which might be attempted when the controller is operating in a public place. In the INFO menu, set parameter LOC=YES to inhibit all functions of the buttons. To resume normal operation of keypad, adjust setting so that LOC=NO.

SELECTION OF SECOND PARAMETER GROUP

It's possible to select control parameters between two different pre-programmed groups, in order for the fundamental control parameters to be adapted quickly to changing needs. Changeover from Group I to Group II (and vice versa) may take place MANUALLY by pressing button (M) for 2 seconds (with IISM=MAN), or AUTOMATICALLY when heavy duty conditions are detected (with IISM=HDD), or when IISM=DI2 and the AUXILIARY INPUT DI2 is activated (the activation of DI2 selects Group II). If IISM=NON, switchover to Group II is inhibited. The activation of Group II is signalled by the lighting up of the relevant LED on the controller display.

DEFROST

- Automatic defrost.** Defrost starts automatically as soon as the time set with parameter DFT has elapsed.
 - Timed defrost. With DFM=TIM defrosts take place at regular intervals when the timer reaches the value of DFT. For example, with DFM=TIM and DFT=06, a defrost will take place every 6 hours.
 - Optimized defrost. With DFM=FRO the timer is only increased when the conditions occur for frost to form on the evaporator, until the time set with parameter DFT is matched. If the evaporator works at 0°C, defrost frequency depends on the thermal load and climatic conditions. With setpoints much lower than 0°C, defrost frequency mainly depends on the refrigerator operating time.
 - Synchronised defrost. With DI2=DSY and when more units (models AD2-28x3xxx only) are linked to each other as per Fig. 3, synchronised defrosts of all linked controllers will take place. The first controller which will start defrost, will also get all other controllers synchronised.
 - Defrost time count backup. At the power-up, if DFB=YES, the defrost timer resumes the time count from where it was left off before the power interruption. Vice versa, with DFB=NO, the time count re-starts from 0. In stand-by, the accumulated time count is frozen.
- Manual or remote defrost start.** It's possible to manually start a defrost, by pressing button (M) for 2 seconds, or defrost may be started remotely, if DI2=RDS, through the making of the auxiliary contact DI2.
- Defrost type.** Once defrost has started, Compressor and Defrost outputs are controlled according to parameter DTY. If FID=YES, the evaporator fans are active during defrost.
- Defrost termination.** The actual defrost duration is influenced by a series of parameters.
 - Time termination: T2=NO and T3 different from 2EU: the evaporator temperature is not monitored and defrost will last as long as time DTO.
 - Temperature monitoring of one evaporator: T2=YES and T3 different from 2EU. In this case, if the sensor T2 measures the temperature DLI before the time DTO elapses, defrost will be terminated in advance.
 - Temperature monitoring of two evaporators: T2=YES, T3=2EU, OAU=2EU. This function is for the control of two independent evaporators and it switches off the individual heating of the evaporator which gets to temperature DLI first, waiting for the second evaporator to get to that temperature before the time DTO elapses.
- Resuming thermostatic cycle.** When defrost is over, if DRN is greater than 0, all outputs will remain off for DRN minutes, in order for the ice to melt completely and the resulting water to drain. Moreover, if probe T2 is active (T2=YES), the fans will re-start when the evaporator gets to a temperature lower than FDD; Vice versa, if probe T2 is not active (T2=NO) or after defrost has come to an end, such condition does not occur by end of the time FTO, after FTO minutes have elapsed the fans will be switched on anyway.

Caution: if DFM=NON or C-H=HEA all defrost functions are inhibited; if DFT=0, automatic defrost functions are excluded. During a high pressure alarm, defrost is suspended. During defrost, high temperature alarm is bypassed.

CONFIGURATION PARAMETERS

- To get access to the parameter configuration menu, press button (M) + (I) for 5 seconds.
- With button (V) or (A) select the parameter to be modified.
- Press button (I) to display the value.
- By keeping button (I) pressed, use button (V) or (A) to set the desired value.
- When button (I) is released, the newly programmed value is stored and the following parameter is displayed.
- To exit from the setup, press button (X) or wait for 30 seconds.

PAR	RANGE	DESCRIPTION
SCL	1°C; 2°C; °F	Readout scale. 1°C (with INP=SN4 only): measuring range -50/-9.9 ... 19.9/80°C 2°C : measuring range -50 ... 120°C °F : measuring range -55 ... 240°F <i>Caution: upon changing the SCL value, it is then absolutely necessary to re-configure the parameters relevant to the absolute and relative temperatures (SPL, SPH, SP, ALA, AHA, etc.).</i>
SPL	-50...SPH	Minimum limit for SP setting.
SPH	SPL...120°	Maximum limit for SP setting.
SP	SPL... SPH	Setpoint (value to be maintained in the room).
C-H	REF; HEA	Refrigerating (REF) or Heating (HEA) control mode.
HYS	1...10°	OFF/ON thermostat differential.
CRT	0...30min	Compressor rest time. The output is switched on again after CRT minutes have elapsed since the previous switchover. We recommend to set CRT=03 with HYS<2.0°.
CT1	0...30min	Thermostat output run when probe T1 is faulty. With CT1=0 the output will always remain OFF.
CT2	0...30min	Thermostat output stop when probe T1 is faulty. With CT2=0 and CT1>0 the output will always be ON. <i>Example: CT1=4, CT2= 6: In case of probe T1 failure, the compressor will cycle 4 minutes ON and 6 minutes OFF.</i>
CSD	0...30min	Compressor stop delay after the door has been opened (active only if DS=YES).
DFM	NON; TIM; FRO	Defrost start mode NON : defrost function is disabled (the following parameter will be FID). TIM : regular time defrost. FRO : the defrost time count is only increased when the conditions occur for frost to form on the evaporator (optimised time increase).
DFT	0...99 hours	Time interval among defrosts. When this time has elapsed since the last defrost, a new defrost cycle is started.
DFB	NO/YES	Defrost timer backup. With DFB=YES, after a power interruption, the timer resumes the count from where it was left off with ±30 min. approximation. With DFB=NO, after a power interruption, the defrost timer will re-start to count from zero.
DLI	-50...120°	Defrost end temperature.
DTO	1...120min	Maximum defrost duration.
DTY	OFF; ELE; GAS	Defrost type OFF: off cycle defrost (Compressor and Heater OFF). ELE: electric defrost (Compressor OFF and Heater ON). GAS: hot gas defrost (Compressor and Heater ON).
DPD	0...240sec	Evaporator pump down. At the beginning of defrost, defrost outputs (determined by DTY) are OFF for DPD seconds.
DRN	0...30min	Pause after defrost (evaporator drain down time).
DDM	RT; LT; SP; DEF	Defrost display mode. During defrost the display will show: RT: the real temperature; LT: the last temperature before defrost; SP: the current setpoint value; DEF: "dEF".
DDY	0...60min	Display delay. The display shows the information selected with parameter DDM during defrost and for DDY minutes after defrost termination.
FID	NO/YES	Fans active during defrost.
FDD	-50...120°	Evaporator fan re-start temperature after defrost.
FTO	0...120min	Maximum evaporator fan stop after defrost.
FCM	NON; TMP; TIM	Fan mode during thermostatic control. NON : The fans remain ON all the time; TMP : Temperature-based control. The fans are ON when the compressor is ON. When the compressor is turned OFF, the fans remain ON as long as the temperature difference Te-Ta is greater than FDT. The fans are turned ON again with FDH differential. (Te = Evaporator temperature, Ta = Air temperature); TIM : Timed-based control. The fans are ON when the compressor is ON. When the compressor is OFF, the fans switch ON and OFF according to parameters FT1, FT2, FT3 (See Fig.2).
FDT	-120...0°	Evaporator-Air temperature difference for the fans to turn OFF after the compressor has stopped.
FDH	1...120°	Temperature differential for fan re-start. <i>Example: FDT = -1, FDH=3. In this case, after the compressor has stopped, the fans are OFF when Te > Ta - 1 (FDT), whereas the fans are ON when Te < Ta - 4 (FDT-FDH).</i>
FT1	0...180sec	Fan stop delay after compressor stop. See Fig. 2
FT2	0...30min	Timed fan stop. With FT2=0 the fans remain on all the time.
FT3	0...30min	Timed fan run. With FT3=0, and FT2 > 0, the fans remain off all the time.
ATM	NON; ABS; REL	Alarm threshold management. NON : all temperature alarms are inhibited (the following parameter will be ADO). ABS : the values programmed in ALA and AHA represent the real alarm thresholds. REL : the values programmed in ALR and AHR are alarm differentials referred to SP and SP+HYS.
ALA	-50... 120°	Low temperature alarm threshold.
AHA	-50... 120°	High temperature alarm threshold.
ALR	-12... 0°	Low temperature alarm differential. With ALR=0 the low temperature alarm is excluded.
AHR	0... 12°	High temperature alarm differential. With AHR=0 the high temperature alarm is excluded.
ATI	T1; T2; T3	Probe used for temperature alarm detection.
ATD	0... 120min	Delay before alarm temperature warning.
ADO	0... 30min	Delay before door open alarm warning.
AHM	NON; ALR; STP;	Operation in case of high condenser alarm NON : high condenser alarm inhibited. ALR : in case of alarm, "HC" flashes in the display and the buzzer is switched on. STP : in addition to the alarm symbols displayed, the compressor is stopped and defrosts are suspended.

AHT	-50...120°	Condensation temperature alarm (referred to T3 probe).
ACC	0...52 weeks	Condenser periodic cleaning. When the compressor operation time, expressed in weeks, matches the ACC value programmed, "CL" flashes in the display. With ACC=0 the condenser cleaning warning is disabled and CND disappears from Info Menu.
IISM	NON; MAN; HDD; DI2	Switchover mode to second parameter set NON : inhibition to use the second parameter group (the following parameter will be SB). MAN : button (M) switches the two parameter groups over. HDD : automatic switchover to the second parameter group, when heavy duty conditions are detected. DI2 : switchover to the second parameter group when the auxiliary DI2 input makes.
IISL	-50... IISH	Minimum limit for IISP setting.
IISH	IISL... 120°	Maximum limit for IISP setting.
IISP	IISL... IISH	Setpoint in mode 2.
IIHY	1... 10°	OFF/ON differential in mode 2.
IIFC	NON;TMP; TIM	Fan control in mode 2. See FCM.
HDS	1...5	Controller sensitivity for the automatic switchover from Group I to Group II (1=minimum, 5=maximum).
IIDF	0...99 hours	Time interval among defrosts in mode 2.
DS	NO/YES	Stand-by button (S) enabling.
SB	NO/YES	Door switch input enabling (closed when door is closed).
DI2	NON; HPS; IISM; RDS; DSY	DI2 digital input operation NON : digital input 2 not active. HPS : when contact opens a condensing unit high pressure alarm occurs. IISM : when contact makes the controller will use group 2 parameters. RDS : when contact makes a defrost is started (remote control). DSY : defrost synchronisation. The controllers, linked as per Fig. 3, will all start and end defrost together. The first controller in defrost will get defrost of all the others started. The last controller ending defrost will get defrost of all the others stopped.
LSM	NON; MAN; DOR	Light control mode NON : light output not controlled. MAN : light output controlled through button (M) (if OAx=LGT). DOR : light output switched on when door is opened (if OAx=LGT).
OA1	NON; 0-1; LGT; 2CU; 2EU; AL0; AL1	AUX 1 output operation NON : output disabled (always off). 0-1 : the relay contacts follow the on/standby state of controller. LGT : output enabled for light control. 2CU : output programmed for the control of an auxiliary compressor. 2EU : output enabled for the control of the electrical defrost of a second evaporator. AL0 : contacts open when an alarm condition occurs. AL1 : contacts make when an alarm condition occurs.
OA2	See OA1	AUX2 output operation. See OA1.
2CD	0...120 sec	Auxiliary compressor start delay. If OAx=2CU the auxiliary output is switched on with a delay of 2CD seconds after the main compressor has cut-in. Both compressors are turned off at the same time.
INP	SN4; ST1	Temperature sensor selection. With INP=SN4, the probes must be the LAE models SN4.; with INP = ST1, the probes must be the LAE models ST1...
OS1	-12.5..12.5°C	Probe T1 offset.
T2	NO/YES	Probe T2 enabling (evaporator).
OS2	-12.5..12.5°C	Probe T2 offset.
T3	NON; DSP; CND; 2EU	Auxiliary probe T3 operation NON : probe T3 not fitted. DSP : temperature T3 to be displayed. CND : condenser temperature measurement. 2EU : second evaporator temperature measurement.
OS3	-12.5..12.5°C	Probe 3 offset.
TLD	1...30 min	Delay for minimum temperature (TLO) and maximum temperature (THI) logging.
SIM	0...100	Display slowdown.
ADR	1...255	AD2-28 address for PC communication.

WIRING DIAGRAMS

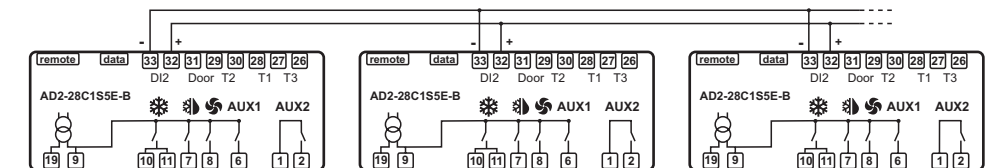
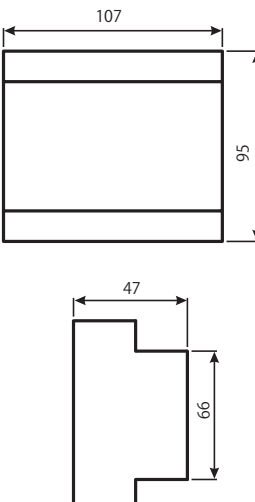
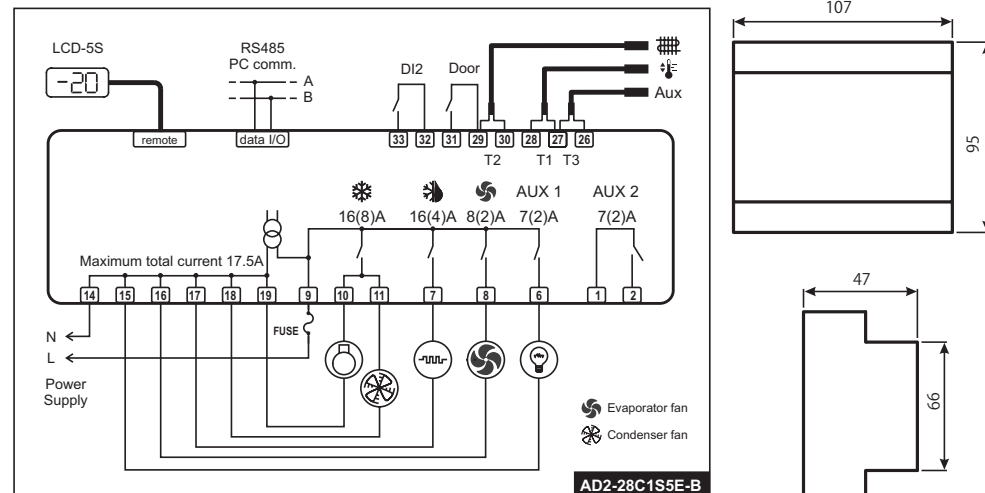


Fig.3 Connection for synchronising defrost start and termination



TECHNICAL DATA

Power supply	12Vac/dc ±10%, 3W
AD2-28...D	230Vac±10%, 50/60Hz, 3W
AD2-28...E	230Vac±10%, 50/60Hz, 3W
AD2-28...U	115Vac±10%, 50/60Hz, 3W

Relay output max loads (240Vac)

	AR2-28...S/T...-	AR2-28...Q/R...-
Compressor	16A resistive 8 FLA 48 RLA	12A resistive 8 FLA 48 RLA
Evap. Fan	8A resistive 2 FLA 12 RLA	8A resistive 2 FLA 12 RLA
Defrost	16A resistive	12A resistive
Auxiliary loads 1	7A resistive	7A resistive
Auxiliary loads 2	7A resistive	7A resistive

Input	NTC 10KΩ@25°C	LAE Part No. SN4...
	PTC 1000Ω@25°C	LAE Part No. ST1...

Measurement Range	-50...120°C, -55...240°F -50/-9.9 ... 19.9/80°C (NTC10K only)
--------------------------	--

Measurement accuracy	<0.5°C within the measurement range
-----------------------------	-------------------------------------

Operating conditions	-10 ... +50°C; 15%...80% r.H.
-----------------------------	-------------------------------

CE - UL (Approvals and Reference norms)	EN60730-1; EN60730-2-9; EN55022 (Class B); EN50082-1 SDFY2.SA32385, UL 60730-1A
--	--



VIA PADOVA, 25
31046 ODERZO /TV /ITALY
TEL. +39 - 0422 815320
FAX +39 - 0422 814073
www.lae-electronic.com
E-mail: sales@lae-electronic.com

AD2-28 BEDIENUNGSANLEITUNG

Wir danken Ihnen, dass Sie sich für ein Produkt der Firma LAE electronic entschieden haben. Lesen Sie vor der Installation des Gerätes bitte aufmerksam die vorliegende Bedienungsanleitung durch: Nur so können wir Ihnen höchste Leistungen und Sicherheit garantieren

BESCHREIBUNG



Abb. 1 - Bedienteil.

- Taste Info / Setpoint.
- Taste Manuelle Abtattung / Down.

INSTALLATION

- Das Gerät misst 107x95x47 mm (LxHxT) und muss an einer DIN-Schiene so befestigt werden, dass keine Flüssigkeitsinfiltrationen möglich sind, welche schwere Schäden am Gerät selbst hervorrufen und dessen Sicherheit beeinträchtigen können.
- Die Elektroanschlüsse ausführen (siehe hierzu die "Schaltpläne"). Zur Vermeidung von elektromagnetischen Störungen die Fühler und Signalkabel getrennt von den Starkstromleitern anbringen.
- Den Fühler T1 so in der Zelle positionieren, dass die Konservierungstemperatur des Produktes gut gemessen werden kann.
- Den Fühler T2 auf dem Verdampfer an der Stelle des maximalen Reifeansatzes befestigen.
- Die Funktionen des Fühlers T3 werden vom Parameter T3 bestimmt. Bei T3=DSP misst der Fühler die auf dem Display angezeigte Temperatur; bei T3=CND erfasst der Fühler die Verflüssigungstemperatur und muss somit zwischen den Rippen des Verflüssigungssatzes positioniert werden; bei T3=2EU misst der Fühler die Temperatur des zweiten Verdampfers und muss an der Stelle des maximalen Reifeansatzes befestigt werden; bei T3=NON ist der dritte Fühler deaktiviert.

BETRIEB

DISPLAYANZEIGEN

Im Normalbetrieb zeigt das Display die Messtemperatur oder einen folgenden Werte an:

<i>dEF</i> Abtattung wird ausgeführt	<i>hP</i> Hochdruckalarm auf Verflüssiger
<i>oFF</i> Regler im Stand-by-Modus	<i>h₁</i> Übertemperaturalarm in der Zelle
<i>cL</i> Anforderung der Verflüssigerreinigung	<i>Lo</i> Untertemperaturalarm in der Zelle
<i>dO</i> Alarm für Tür offen	<i>E 1</i> Defekt in Fühler T1
<i>hc</i> Übertemperaturalarm auf Verflüssiger	<i>E 2</i> Defekt in Fühler T2
	<i>E 3</i> Defekt in Fühler T3

INFO-MENÜ

Die im Info-Menü abrufbaren Daten sind:

<i>t 1</i> Ist-Temperatur des Fühlers 1	<i>t h₁</i> Max. Messtemperatur des Fühlers 1
<i>t 2</i> * Ist-Temperatur des Fühlers 2	<i>t Lo</i> Min. Messtemperatur des Fühlers 1
<i>t 3</i> * Ist-Temperatur des Fühlers 3	<i>cnd**</i> Verdichterbetriebszeit in Wochen
	<i>LoC</i> Tastenzustand (Sperr)

*: Anzeige nur wenn T2 und / oder T3 in der Parameterebene aktiviert ist. **: Anzeige nur wenn ACC > 0 ist.

Zugriff auf das Menü und Datenanzeige.

- Die Taste drücken und loslassen.
- Mit den Tasten oder die anzuzeigenden Daten wählen.
- Mit der Taste den Wert anzeigen.
- Zum Verlassen des Menüs die Taste drücken oder 10 Sekunden warten.

Reset der gespeicherten Werte THI, TLO, CND

- Mit den Tasten oder den zu resettierenden Wert wählen.
- Mit der Taste den Wert anzeigen.
- Die Taste gedrückt halten und gleichzeitig die Taste drücken.

STAND-BY

Die Taste lässt, falls für 3 Sekunden gedrückt, den Regler auf verschiedene Betriebsmodi oder Stand-by umschalten (nur bei SB=YES).

TASTENSPERRE

Die Sperre der Tasten verhindert unerwünschte und potenziell schädliche Handlungen, sollte der Regler beispielsweise in einer öffentlich zugänglichen Umgebung positioniert sein. Zur Sperre aller Tastenbefehle den Parameter im INFO-Menü auf **LOC=YES** einstellen; zur Wiederherstellung aller Funktionen den Parameter auf **LOC=NO** setzen.

WAHL DES ZWEITEN PARAMETER-SETS

Die Regelparameter können anhand von zwei vorprogrammierten Sets in wenigen Augenblicken an verschiedene Bedingungen adaptiert werden. Der Übergang von Set 1 zu Set 2 kann MANUELL erfolgen, indem bei der Einstellung IISM=MAN die Taste für 2 Sekunden gedrückt wird, oder AUTOMATISCH bei der Erfassung von extremen Betriebsbedingungen (IISM=HDD) oder wiederum beim Schließen des HILFSEINGANGES DI2 (IISM=DI2). Die Aktivierung des Parameter-Sets II wird durch Leuchten der zugehörigen LED auf dem Bedienteil gemeldet. Bei IISM=NON ist der Übergang zu Set II gesperrt.

ABTAUUNG

Automatische Abtattung. Die Abtattung startet automatisch zu fest einprogrammierten Zeitintervallen oder bei bis zu 6 einprogrammierten Uhrzeiten (bis zu sechs pro 24 Stunden).

- Abtattung mit Timer:** Bei DFM=TIM läuft der Timer kontinuierlich weiter; die Abtattungen erfolgen in regelmäßigen Abständen. Bei DFM=TIM und DFT=06 erfolgen die Abtattzyklen beispielsweise in einem Abstand von je 6 Stunden.
- Optimierte Abtattung:** Bei DFM=FRO läuft der Timer nur bei Reifeansatz auf dem Verdampfer weiter, bis der Parameter DFT ausgeglichen ist. Arbeitet der Verdampfer bei einer Temperatur von 0°C, hängt die Abtaufrequenz von der Wärmelast und den klimatischen Bedingungen ab. Bei Sollwerten weit unter 0°C hängt die Abtaufrequenz vorwiegend von den Betriebszeiten des Kühlgerätes ab.
- Synchronabtauung:** Bei DI2=DSY und wie in Abb. 3 vernetzt mit mehreren AD2-28-Geräten (siehe Parametertabelle) erfolgt die Abtattung synchron auf allen angeschlossenen Geräten. Das Gerät, das als Erstes abtau, steuert die Synchronabtauungen aller anderen.
- Speicherung der Zählung:** Beim Einschalten des Gerätes setzt der Abtautimer im Fall von DFB=YES die Zählung der vor dem Ausschalten angesammelten Zeit fort, ansonsten startet er bei Null (DFB=NO). Im Stand-by-Modus ist die Zählung gesperrt
- Manuelle oder Remote-Abtattung.** Durch Drücken der Taste für 2 Sekunden oder bei DI2=RDS (Schließen des Hilfskontaktes DI2) kann eine manuelle Abtattung aktiviert werden.

Abtautyp. Nach dem Start der Abtattung werden die Verdichter- und Abtauauausgänge gemäß Parameter DTY angesteuert. Bei FID=YES sind die Verdampferlüfter während der Abtattung aktiviert.

- Abtauende.** Die effektive Abtauendauer wird von einigen Parametern beeinflusst.
- Zeitgesteuerte Abtattung:** T2=NO und T3 ist unterschieden von 2EU: Die Verdampferatemperatur wird nicht überwacht; die Abtattung hat immer eine Dauer gleich der Zeit DTO.
- Temperaturüberwachung auf einem Verdampfer:** T2=YES und T3 ist unterschieden von 2EU: Erreicht der Fühler T2 die Temperatur DLI innerhalb der Zeit DTO, wird die Abtattung vorzeitig gestoppt.
- Temperaturüberwachung auf zwei Verdampfern:** T2=YES, T3=2EU, OAU=2EU. Dieser Modus sieht die unabhängige Steuerung zweier Verdampfer vor; innerhalb der Zeit DTO, in der beide Verdampferheizelemente die festgelegte Temperatur erreichen müssen, wird dabei jenes Verdampferheizelement zuerst ausgeschaltet, das die Temperatur DLI zuerst erreicht (siehe Abbildung).

Wiederaufnahme des Wärmeregelungszyklus. Nach einer Abtattung bleiben alle Ausgänge, falls DRN über Null liegt, für DRN Minuten ausgeschaltet, damit das Eis schmelzen und das Wasser abfließen kann. Bei aktivem Fühler T2 (T2=YES) starten die Lüfter erneut, sobald die Verdampferatemperatur unter dem Wert FDD liegt; ist der Fühler T2 nicht aktiv (T2=NO) oder stellt sich diese Bedingung nach Beendigung einer Abtattung nicht innerhalb der Zeit FTO ein, werden die Lüfter nach Verstreichen von FTO trotzdem neu gestartet.

Achtung: Bei DFM=NON oder C-H=HEA sind alle Abtaufunktionen gesperrt; bei DFT=0 ist die automatische Abtattung ausgeschlossen, während eines Hochdruckalarms wird die Abtattung unterbrochen; während einer Abtattung ist der Übertemperaturalarm gesperrt.

KONFIGURATIONSPARAMETER

- Für den Zugriff auf das Konfigurationsmenü die Tasten + für 5 Sekunden drücken .
- Mit den Tasten oder den zu ändernden Parameter wählen.
- Mit der Taste den Wert anzeigen.
- Die Taste gedrückt halten und mit den Tasten oder den gewünschten Wert einstellen.

- Beim Loslassen der Taste wird der neue Wert gespeichert und der nächste Parameter angezeigt.
- Zum Verlassen des Menüs die Taste drücken oder 30 Sekunden warten.

PAR	BEREICH	BESCHREIBUNG
SCL	1°C; 2°C; °F	Anzeigeskala. 1°C (nur bei INP=SN4): Messbereich -50/-9.9 ... 19.9/80°C. 2°C : Messbereich -50 ... 120°C. °F : Messbereich -55 ... 240°F. <i>Achtung: Bei der Änderung des Wertes SCL müssen die Parameter der absoluten und relativen Temperaturen (SPL, SPH, SP, ALA, AHA, usw.) unbedingt neu konfiguriert werden.</i>
SPL	-50...SPH	Mindestgrenzwert für die Regelung von SP.
SPH	SPL...120°	Höchstgrenzwert für die Regelung von SP.
SP	SPL... SPH	Schalttemperatur (Wert, der in der Zelle beibehalten werden soll).
C-H	REF; HEA	Kühlmodus (REF) oder Heizmodus (HEA).
HYS	1...10°	OFF/ON-Schalthysterese des Thermostaten. Kühlregelung (C-H=REF) Heizregelung (C-H=HEA)
CRT	0...30Min	Verdichterstopzeit. Eine Neuaktivierung des Ausganges kann nur nach Verstreichen von CRT Minuten nach dem vorherigen Ausschalten erfolgen. Empfohlene Werte: CRT=03 bei HYS<2.0°.
CT1	0...30Min	Aktivierungszeit des Wärmeregelungsausganges während einer Funktionsstörung des Fühlers T1. Bei CT1=0 ist der Ausgang immer OFF.
CT2	0...30Min	Stopzeit des Wärmeregelungsausganges während einer Funktionsstörung des Fühlers T1. Bei CT2=0 und CT1>0 ist der Ausgang immer ON. <i>Beispiel:</i> CT1=4, CT2=6: Im Fall eines Defektes des Fühlers T1 arbeitet der Verdichter mit 4-minütigen ON-Zyklen und 6-minütigen OFF-Zyklen.
CSD	0...30Min	Verzögerung des Verdichterstopps nach Türöffnung (aktiv nur bei DS = YES).
DFM	NON; TIM; FRO	Startmodus eines Abtauzyklus. NON : Die Abtaufunktion wird deaktiviert (<i>der nächste Parameter ist FID</i>). TIM : Der Timer für die Abtaukivierung läuft kontinuierlich weiter. FRO : Der Timer läuft nur bei einem Reifeansatz auf dem Verdampfer weiter (optimierter Timerbetrieb).
DFT	0...99 St.	Timerwert, nach dessen Erreichen ein Abtauzyklus gestartet wird.
DFB	NO/YES	Speicherung der vom Abtautimer gezählten Zeit. Bei DFB=YES startet der Timer nach einem Spannungsausfall (Black-out) wieder beim Wert, der beim Ausschalten erreicht war, ± 30 Min. Bei DFB=NO startet der Timer nach einem Spannungsausfall bei Null.
DLI	-50...120°	Abtauendtemperatur.
DTO	1...120Min	Maximale Abtauendauer.
DTY	OFF; ELE; GAS	Abtautyp. OFF : Abtattung bei Stopp (Verdichter und Abtauheizung OFF). ELE : Elektrische Abtattung (Verdichter OFF und Abtauheizung ON). GAS : Heißgasabtattung (Verdichter und Abtauheizung ON).
DPD	0...240Sek	Verdampfer-Pump-Down. Beim Abtaustart bleiben die durch den Parameter DTY definierten Abtauauausgänge für DPD-Sekunden ausgeschaltet.
DRN	0...30Min	Pause nach Abtattung (Abtropfphase des Verdampfers).
DDM	RT; LT; SP; DEF	Displayanzeige während Abtattung: RT : Ist-Temperatur; LT : Letzte Temperatur vor der Abtattung; SP : Aktueller Sollwert; DEF : "DEF".
DDY	0...60Min	Verzögerung in der Anzeige. Während der Abtattung und für DDY-Minuten nach der Beendigung dieser Phase, zeigt die Displayanzeige die durch den Parameter DDM einprogrammierte Angabe an.
FID	NO/YES	Lüfteraktivierung während der Abtattung.
FDD	-50...120°	Temperatur für den Neustart der Verdampferlüfter nach einer Abtattung.
FTO	0...120Min	Dauer des maximalen Verdampferlüfterstopps nach einer Abtattung.
FCM	NON; TMP; TIM	Steuerung der Verdampferlüfter während der Wärmeregelung. NON : Die Verdampferlüfter bleiben immer eingeschaltet; TMP : Wärmeregelung. Die Verdampferlüfter sind zusammen mit dem Verdichter im Betrieb. Nach der Abschaltung des Verdichters, bleiben die Lüfter eingeschaltet, solange die Temperatur-Differenz Te-Ta größer als FDT ist. Die Lüfter schalten wieder mit dem Differentialen FDH ein. (Te = Verdampferatemperatur, Ta = Lüftertemperatur); TIM : Zeitliche Steuerung. Die Verdampferlüfter sind eingeschaltet, wenn der Verdichter läuft. Nach der Abschaltung des Verdichters, schalten die Lüfter ein und aus gemäß den Parametern FT1, FT2, FT3 (siehe Abb. 2).
FDT	-120...0°	Differenz Verdampfer - Luft zur Abschaltung der Lüfter nach der Abschaltung des Verdichters.
FDH	1...120°	Temperaturdifferential zur Wiedereinschaltung der Verdampferlüfter. <i>Beispiel:</i> FDT = -1, FDH=3. In diesem Beispiel, nach der Abschaltung des Verdichters, werden die Lüfter bei Te > Ta -1 (FDT) ausgeschaltet. Wenn Te < Ta -4 (FDT-FDH) werden die Lüfter wieder eingeschaltet.
FT1	0...180Sek	Ausschaltverzögerung der Lüfter nach Verdichterstopp. Siehe Abb. 2.
FT2	0...30Min	Lüfterstopp mit Timer. Bei FT2=0 bleiben die Lüfter immer eingeschaltet.
FT3	0...30Min	Lüfterbetrieb mit Timer. Bei FT3=0 und FT2 > 0 bleiben die Lüfter immer eingeschaltet
ATM	NON; ABS; REL	Alarmschwellen. NON : Alle Temperaturalarne sind gesperrt (<i>der nächste Parameter ist ADO</i>). ABS : Die in ALA und AHA programmierten Werte stellen die effektiven Alarmschwellen dar. REL : Die in ALR und AHR programmierten Werte sind die Alarmdifferenziale für SP und SP+HYS.
ALA	-50... 120°	Alarmschwelle für Untertemperatur.
AHA	-50... 120°	Alarmschwelle für Übertemperatur.
ALR	-12... 0°	Alarmdifferential für Untertemperatur. Bei ALR=0 wird der Untertemperaturalarm ausgeschlossen
AHR	0... 12°	Alarmdifferential für Übertemperatur. Bei AHR=0 wird der Übertemperaturalarm ausgeschlossen

ATI	T1; T2; T3	Wahl des Bezugsfühlers für Temperaturalarne.
ATD	0... 120Min	Verzögerung der Temperaturalarmmeldung.
ADO	0... 30Min	Verzögerung der Alarmmeldung für Tür offen.
AHM	NON; ALR; STP;	Betriebsmodus bei Verflüssigeralarm. NON : Sperre des Verflüssigeralarms. ALR : Im Alarmfall blinken auf dem Display die Zeichen "HC" und wird der Summer aktiviert. STP : Die Alarmanzeigen werden ausgelöst und der Verdichter und die Abtauungen gestoppt.
AHT	-50...120°	Verflüssigungstemperaturalarm (er wird vom Fühler T3 gemessen).
ACC	0...52 Wochen	Periodische Verflüssigerreinigung. Sobald die Verdichterbetriebszeit (in Wochen) den Wert ACC erreicht, blinken auf dem Display die Zeichen "CL". Bei ACC=0 wird die Verflüssigerreinigungsmeldung ausgeschlossen.
IISM	NON; MAN; HDD; DI2	Übergang zum 2. Parameter-Set. NON : Sperre des 2. Parameter-Sets (<i>der nächste Parameter ist SB</i>). MAN : Aktivierung der Taste für die Umschaltung der beiden Parameter-Sets. HDD : Automatischer Übergang zum 2. Parameter-Set bei der Erfassung von extremen Betriebsbedingungen. DI2 : Übergang zum 2. Parameter-Set beim Schließen des Hilfsseinganges DI2.
IISL	-50... IISH	Mindestgrenzwert für die Regelung von IISP.
IISH	IISL... 120°	Höchstgrenzwert für die Regelung IISP.
IISP	IISL... IISH	Sollwert in Modus 2.
IIHY	1... 10°	OFF/ON-Schalthysterese in Modus 2.
IIFC	NON;TMP; TIM	Steuerung der Verdampferlüfter in Modus 2. Siehe FCM.
HDS	1...5	Ansprechvermögen des Reglers für den automatischen Übergang von Set 1 zu Set 2 (1=min, 5=max.).
IIDF	0...99 St.	Stundenzählerwert für den Start eines Abtauzyklus in Modus 2.
DS	NO/YES	Aktivierung der Stand-by-Taste .
SB	NO/YES	Aktivierung des Türeingangsfühlers (geschlossen bei Tür geschlossen).
DI2	NON; HPS; IISM; RDS; DSY	Funktionen des digitalen Eingangses DI2. NON : Digitaler Eingang 2 nicht aktiv. HPS : Bei der Öffnung wird ein Hochdruckalarm im Verflüssigersatz ausgelöst. IISM : Beim Schließen des Kontaktes verwendet der Regler als Bezug die Parameter des 2. Sets. RDS : Beim Schließen des Kontaktes wird eine Abtattung gestartet (Remote-Steuerung). DSY : Synchronisierung der Abtauungen. Die wie in Abb. 3 vernetzten Geräte beginnen bzw. beenden die Abtattung gleichzeitig. Das erste Gerät in Abtattung gibt den Startbefehl. Das Gerät, das als Letztes die Abtattung beendet, gibt den Stoppbefehl.
LSM	NON; MAN; DOR	Lichtsteuerung. NON : Keine Lichtsteuerung. MAN : Lichtausgangssteuerung mittels Taste (bei OAx=LGT). DOR : Lichtausgang aktiviert bei Türöffnung (bei OAx=LGT).
OA1	NON; 0-1; LGT; 2CU; 2EU; AL0; AL1	Funktionen des Hilfsausganges AUX 1. NON : Ausgang deaktiviert (immer ausgeschaltet). 0-1 : Die Relaiskontakte folgen dem ON-/Stand-by-Zustand des Reglers. LGT : Ausgang für Lichtsteuerung aktiviert. 2CU : Ausgang für die Ansteuerung eines zweiten Verdampfers programmiert. 2EU : Ausgang für die elektrische Abtattung des zweiten Verdampfers aktiviert. AL0 : Öffnung der Kontakte im Alarmfall. AL1 : Schließung der Kontakte im Alarmfall.
OA2	Siehe OA1	Funktionen des Hilfsausganges AUX 2. Siehe OA1
2CD	0...120 Sek	Einschaltverzögerung des zweiten Verdichters. Bei OAU = 2CU wird der Hilfsausgang 2CD Sekunden nach dem Start des ersten Verdichters aktiviert. Das Ausschalten der Verdichter erfolgt hingegen immer gleichzeitig.
INP	SN4; ST1	Wahl des Temperaturfühlers. Bei INP=SN4 müssen die Fühler den Modellen LAE SN4... entsprechen; bei INP=ST1 den Modellen LAE ST1...
OS1	-12.5..12.5°C	Messwertkorrektur des Fühlers T1.
T2	NO/YES	Aktivierung des Fühlers T2 (Verdampfer).
OS2	-12.5..12.5°C	Messwertkorrektur des Fühlers T2.
T3	NON; DSP; CND; 2EU	Funktionen des Hilfsfühlers T3. NON : Fühler T3 nicht vorhanden. DSP : Displayanzeige des Temperaturmesswertes T3. CND : Messung der Verflüssigungstemperatur. 2EU : Messung der Temperatur des zweiten Verdampfers.
OS3	-12.5..12.5°C	Messwertkorrektur des Fühlers 3.
TLD	1...30 Min	Verzögerung der Mindesttemperatur- (TLO) und Höchsttemperaturspeicherung (THI).
SIM	0...100	Displayverlangsamung.
ADR	1...255	Adresse von AD2-28 für Kommunikation mit einem PC.

SCHALTPLÄNE

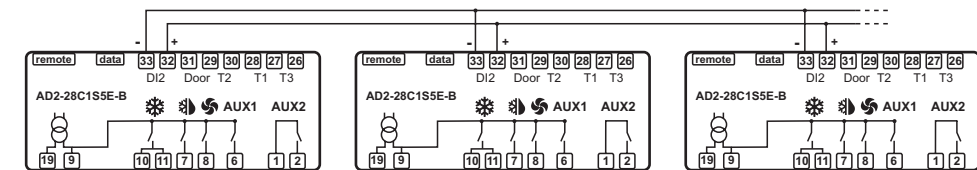
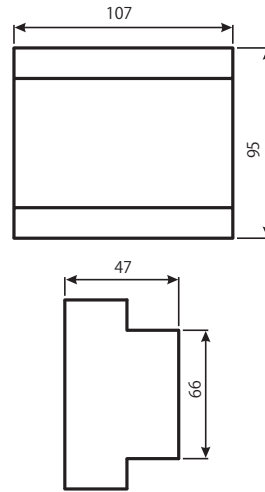
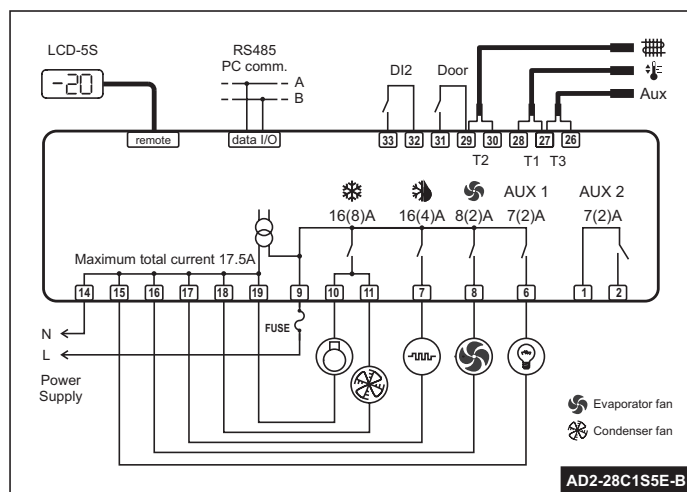


Abb. 3 Schaltplan für die Synchronisierung der Abtaustarts und -stopps



VIA PADOVA, 25
31046 ODERZO /TV /ITALY
TEL. +39 - 0422 815320
FAX +39 - 0422 814073
www.lae-electronic.com
E-mail: sales@lae-electronic.com

TECHNISCHE DATEN

Spannungsversorgung

AD2-28...D	12Vac/dc ±10%, 3W
AD2-28...E	230Vac±10%, 50/60Hz, 3W
AD2-28...U	115Vac±10%, 50/60Hz, 3W

Maximale Schaltleistungen Relaisausgänge (240Vac)

	AD2-28...S/T...-	AD2-28...Q/R...-
Verdichter	16A ohmisch 8 FLA 48 RLA	12A ohmisch 8 FLA 48 RLA
Verdampferlüfter	8A ohmisch 2 FLA 12 RLA	8A ohmisch 2 FLA 12 RLA
Abtattung	16A ohmisch	12A ohmisch
Hilfsausgänge 1	7A ohmisch	7A ohmisch
Hilfsausgänge 2	7A ohmisch	7A ohmisch

Eingänge

NTC 10KΩ@25°C	LAE-Code SN4...
PTC 1000Ω@25°C	LAE-Code ST1...

Messbereich

-50...120°C, -55...240°F
-50 / -9.9 ... 19.9 / 80°C (nur bei NTC10K)

Messgenauigkeit

<0.5°C im Messbereich

Betriebsbedingungen

-10 ... +50°C; 15%...80% r.F.

CE - UL (Zertifizierungen und Bezugsnormen)

EN60730-1; EN60730-2-9; EN55022 (Klasse B);
EN50082-1
SDFY2.SA32385, UL 60730-1A

AD2-28

INSTRUCTIONS FOR USE



BEDIENUNGSANLEITUNG



0LAD2001-01