

AR1-5 INSTRUCTIONS FOR USE

Thank you for having chosen an LAE electronic product. Before installing the instrument, please read this instruction booklet carefully in order to ensure safe installation and optimum performance.

DESCRIPTION



Fig.1 - Front panel

- Info / Setpoint button.
- Manual defrost / Decrease button.

INSTALLATION

- Insert the controller through a hole measuring 71x29 mm.
- Make sure that electrical connections comply with the paragraph "wiring diagrams". To reduce the effects of electromagnetic disturbance, keep the sensor and signal cables well separate from the power wires.
- Fix the controller to the panel by means of the suitable clips, by pressingly gently; if fitted, check that the rubber gasket adheres to the panel perfectly, in order to prevent debris and moisture infiltration to the back of the instrument.
- Place the probe T1 inside the room in a point that truly represents the temperature of the stored product.
- Place the probe T2 on the evaporator where there is the maximum formation of frost.
- The function of probe T3 is determined by the parameter T3. With T3=DSP the probe measures the temperature to be displayed. With T3=CND the probe measures the condenser temperature, it must therefore be placed between the fins of the condensing unit. With T3=2EU the probe measures the temperature of the second evaporator and it must therefore be placed where there is the maximum formation of frost. With T3=NON, the third probe is disabled.

OPERATION

DISPLAY

During normal operation, the display shows either the temperature measured or one of the following indications:

DEF Defrost in progress	HP Condenser high pressure alarm
REC Recovery after defrost	HI Room high temperature alarm
OFF Controller in stand-by	LO Room low temperature alarm
CL Condenser clean warning	E1 Probe T1 failure
DO Door open alarm	E2 Probe T2 failure
HC Condenser high temperature alarm	E3 Probe T3 failure

INFO MENU

The information available in this menu is:

T1 Instant probe 1 temperature	THI Maximum probe 1 temperature recorded
T2* Instant probe 2 temperature	TLO Minimum probe 1 temperature recorded
T3* Instant probe 3 temperature	CND** Compressor working weeks
MIN Minutes of the Real Time Clock	LOC Keypad state lock
HRS Hours of the Real Time Clock.	

*: displayed only if enabled (see §Configuration Parameters) **: displayed only if ACC > 0

Access to menu and information displayed.

- Press and immediately release button (i).
- With button (v) or (a) select the data to be displayed.
- Press button (i) to display value.
- To exit from the menu, press button (x) or wait for 10 seconds.

Reset of THI, TLO, CND recordings

- With button (v) or (a) select the data to be reset.
- Display the value with button (i).
- While keeping button (i) pressed, use button (x).

SETPOINT (display and modification of desired temperature value)

- Press button (i) for at least half second, to display the setpoint value.
- By keeping button (i) pressed, use button (v) or (a) to set the desired value (adjustment is within the minimum SPL and the maximum SPH limit).
- When button (i) is released, the new value is stored.

STAND-BY

Button (s), when pressed for 3 seconds, allows the controller to be put on a standby or output control to be resumed (with SB=YES only).

KEYPAD LOCK

The keypad lock avoids undesired, potentially dangerous operations, which might be attempted when the controller is operating in a public place. In the INFO menu, set parameter LOC=YES to inhibit all functions of the buttons. To resume normal operation of keypad, adjust setting so that LOC=NO.

SELECTION OF SECOND PARAMETER GROUP

It's possible to select control parameters between two different pre-programmed groups, in order for the fundamental control parameters to be adapted quickly to changing needs. Changeover from Group I to Group II (and vice versa) may take place manually by pressing button (M) for 2 seconds (with IISM=MAN), or automatically when heavy duty conditions are detected (with IISM=HDD), or when IISM=DI2 and the auxiliary input DI2 is activated (the activation of DI2 selects Group II). If IISM=NON, switchover to Group II is inhibited. The activation of Group II is signalled by the lighting up of the relevant LED on the controller display.

REAL TIME CLOCK SETTING

The Real Time Clock (RTC) can be adjusted directly from the Info Menu (see Setpoint modification procedure). Tens of minutes MIN range from 0 to 59 and Hours HRS range from 0 to 23. If RTC is adjusted just before an upcoming change of hour, verify the correctness of the setting again. The RTC does not automatically change upon Daylight Saving Time.

DEFROST

Automatic defrost. Defrost starts automatically at fixed time-intervals or at programmed schedules (up to six per 24 hours).

- Timed defrost.** With DFM=TIM defrosts take place at regular intervals when the timer reaches the value of DFT. For example, with DFM=TIM and DFT=06, a defrost will take place every 6 hours.

- Scheduled defrost.** With DFM=RTC defrost takes place at time specified by DH1...DH6. The format of time is "HH.M", where HH are hours and M are tens of minutes. To disable one or more of the 6 scheduled defrosts, assign the value "--" (it is the value after "23.5"). Parameters DH1...DH6 are accessible both in the setup (see §Configuration Parameters) and by keeping button (s) pressed for 4 seconds during normal operation.

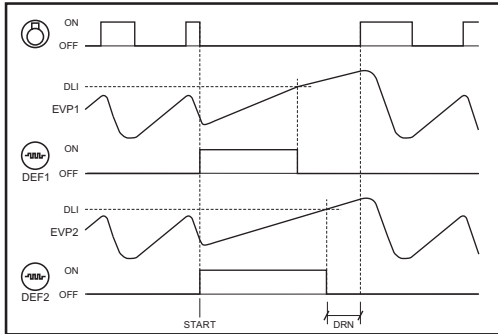
Manual or remote defrost start. If DFM=TIM it's possible to manually start a defrost, by pressing button (s) for 4 seconds. If DFM=RTC hold button (s) down for 4 seconds to display DH1, then press button (s) again for 4 seconds to manually start a defrost. Defrost may be also started remotely, if DI2=RDS, through the making of the auxiliary contact DI2.

Defrost type. Once defrost has started, Compressor and Defrost outputs are controlled according to parameter DTY. If FID=YES, the evaporator fans are active during defrost.

Defrost termination. The actual defrost duration is influenced by a series of parameters.

- Time termination:** T2=NO and T3 different from 2EU: the evaporator temperature is not monitored and defrost will last as long as time DTO.
- Temperature monitoring of one evaporator:** T2=YES and T3 different from 2EU. In this case, if the sensor T2 measures the temperature DLI before the time DTO elapses, defrost will be terminated in advance.

Temperature monitoring of two evaporators: T2=YES, T3=2EU, OAU=2EU. This function is for the control of two independent evaporators and it switches off the individual heating of the evaporator which gets to temperature DLI first, waiting for the second evaporator to get to that temperature before the time DTO elapses (see figure).



Resuming thermostatic cycle. When defrost is over, if DRN is greater than 0, all outputs will remain off for DRN minutes, in order for the ice to melt completely and the resulting water to drain. Moreover, if probe T2 is active (T2=YES), the fans will re-start when the evaporator gets to a temperature lower than FDD. Vice versa, if probe T2 is not active (T2=NO) or after defrost has come to an end, such condition does not occur by end of the time FTO, after FTO minutes have elapsed the fans will be switched on anyway.

Caution: if DFM=NON or C-H=HEA all defrost functions are inhibited; if DFT=0, automatic defrost functions are excluded. During a high pressure alarm, defrost is suspended. During defrost, high temperature alarm is bypassed.

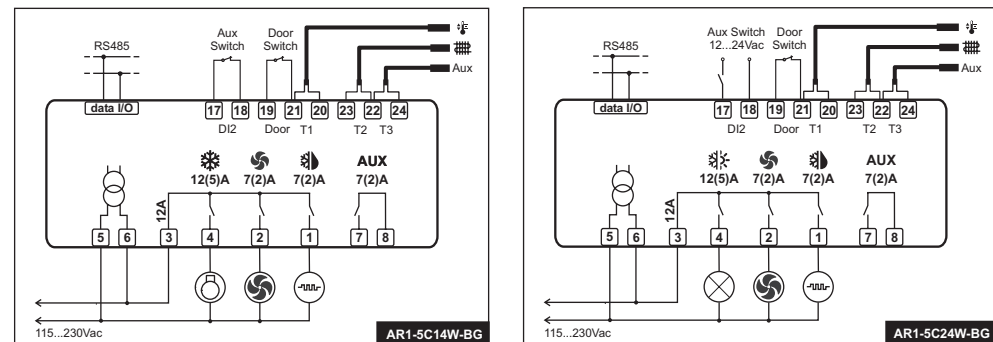
CONFIGURATION PARAMETERS

- To get access to the parameter configuration menu, press button (x) + (i) for 5 seconds.
- With button (v) or (a) select the parameter to be modified.
- Press button (i) to display the value.
- By keeping button (i) pressed, use button (v) or (a) to set the desired value.
- When button (i) is released, the newly programmed value is stored and the following parameter is displayed.
- To exit from the setup, press button (x) or wait for 30 seconds.

PAR	RANGE	DESCRIPTION
SCL	1°C; 2°C; °F	Readout scale. 1°C (with INP=SN4 only): measuring range -50/-9.9 ... 19.9/80°C 2°C : measuring range -50 ... 120°C °F : measuring range -55 ... 240°F <i>Caution: upon changing the SCL value, it is then absolutely necessary to re-configure the parameters relevant to the absolute and relative temperatures (SPL, SPH, SP, ALA, AHA, etc.).</i>
SPL	-50..SPH	Minimum limit for SP setting.
SPH	SPL..120°	Maximum limit for SP setting.
SP	SPL... SPH	Setpoint (value to be maintained in the room).
C-H	REF; HEA	Refrigerating (REF) or Heating (HEA) control mode.
HYS	1...10°	OFF/ON thermostat differential. Refrigerating control (C-H=REF) Heating control (C-H=HEA)
CRT	0...30min	Compressor rest time. The output is switched on again after CRT minutes have elapsed since the previous switchover. We recommend to set CRT=03 with HYS<2.0°.
CT1	0...30min	Thermostat output run when probe T1 is faulty. With CT1=0 the output will always remain OFF.
CT2	0...30min	Thermostat output stop when probe T1 is faulty. With CT2=0 and CT1>0 the output will always be ON. <i>Example: CT1=4, CT2= 6: In case of probe T1 failure, the compressor will cycle 4 minutes ON and 6 minutes OFF.</i>
CSD	0..30min	Compressor stop delay after the door has been opened (active only if DS=YES).
2CD	0...120sec	Auxiliary compressor start delay. If OAU = 2CU the auxiliary output is switched on with a delay of 2CD seconds after the main compressor has cut-in. Both compressors are turned off at the same time.
DFM	NON; TIM; RTC	Defrost start mode NON : defrost function is disabled (the following parameter will be FID). TIM : regular time defrost. RTC : the defrost time is scheduled by parameters DH1, DH2...DH6.
DFT	0...99 hours	Time interval among defrosts. When this time has elapsed since the last defrost, a new defrost cycle is started.
DH1	HH.M	Scheduled time for defrost 1. HH hours from midnight, M tens of minutes. Accepted values go from 00.0 to 23.5. After "23.5" the value is "--" that means "skipped defrost". <i>Example: DH1=8.3 means 8.30 AM</i>
DH2	HH.M	Scheduled time for defrost 2
DH3	HH.M	Scheduled time for defrost 3
DH4	HH.M	Scheduled time for defrost 4
DH5	HH.M	Scheduled time for defrost 5
DH6	HH.M	Scheduled time for defrost 6
DLI	-50...120°	Defrost end temperature.
DTO	1...120min	Maximum defrost duration.
DTY	OFF; ELE; GAS	Defrost type OFF: off cycle defrost (Compressor and Heater OFF). ELE: electric defrost (Compressor OFF and Heater ON). GAS: hot gas defrost (Compressor and Heater ON).
DRN	0...30min	Pause after defrost (evaporator drain down time).
DDY	0...60min	Display during defrost. If DDY=0 during defrost the temperature continues to be displayed. If DDY>0, during defrost the display shows DEF, when defrost is over REC is displayed during DDY minutes.
FID	NO/YES	Fans active during defrost.
FDD	-50...120°	Evaporator fan re-start temperature after defrost.
FTO	0...120min	Maximum evaporator fan stop after defrost.
FTC	NO/YES	Optimised fan control enabling. With FTC = NO the fans remain on all the time. Fig.2 Optimised fan control (FTC=YES)
FT1	0...180sec	Fan stop delay after compressor stop. See Fig. 2.
FT2	0...30min	Timed fan stop. With FT2=0 the fans remain on all the time.
FT3	0...30min	Timed fan run. With FT3=0, and FT2 > 0, the fans remain off all the time.

ATM	NON; ABS; REL	Alarm threshold management. NON: all temperature alarms are inhibited (the following parameter will be ADO). ABS: the values programmed in ALA and AHA represent the real alarm thresholds. REL: the values programmed in ALR and AHR are alarm differentials referred to SP and SP+HYS. Temperature alarm with relative thresholds, refrigerating control (ATM=REL, C-H=REF). Temperature alarm with relative thresholds, heating control (ATM=REL, C-H=HEA).
ALA	-50... 120°	Low temperature alarm threshold.
AHA	-50... 120°	High temperature alarm threshold.
ALR	-12... 0°	Low temperature alarm differential. With ALR=0 the low temperature alarm is excluded.
AHR	0... 12°	High temperature alarm differential. With AHR=0 the high temperature alarm is excluded.
ATI	T1; T2; T3	Probe used for temperature alarm detection.
ATD	0... 120min	Delay before alarm temperature warning.
ADO	0... 30min	Delay before door open alarm warning.
AHM	NON; ALR; STP;	Operation in case of high condenser alarm NON: high condenser alarm inhibited. ALR: in case of alarm, "HC" flashes in the display and the buzzer is switched on. STP: in addition to the alarm symbols displayed, the compressor is stopped and defrosts are suspended.
AHT	-50...120°	Condensation temperature alarm (referred to T3 probe).
ACC	0...52 weeks	Condenser periodic cleaning. When the compressor operation time, expressed in weeks, matches the ACC value programmed, "CL" flashes in the display. With ACC=0 the condenser cleaning warning is disabled and CND disappears from Info Menu.
HDS	1...5	Controller sensitivity for the automatic switchover from Group 1 to Group 2 (1=minimum, 5=maximum).
IISM	NON; MAN; HDD; DI2	Switchover mode to second parameter set NON: inhibition to use the second parameter group (the following parameter will be SB). MAN: button (M) switches the two parameter groups over. HDD: automatic switchover to the second parameter group, when heavy duty conditions are detected. DI2: switchover to the second parameter group when the auxiliary DI2 input makes.
IISL	-50... IISH	Minimum limit for IISP setting.
IISH	IISL... 120°	Maximum limit for IISP setting.
IISP	IISL... IISH	Setpoint in mode 2.
IIHY	1... 10°	OFF/ON differential in mode 2.
IIFT	NO/YES	Optimised fan control enabling in mode 2.
IIDF	0...99 hours	Defrost timer set to start a defrost in mode 2.
SB	NO/YES	Stand-by button (s) enabling.
DS	NO/YES	Door switch input enabling (closed when door is closed).
DI2	NON; HPS; IISM; RDS	DI2 digital input operation NON : digital input 2 not active. HPS: when contact opens a condensing unit high pressure alarm occurs. IISM : when contact makes the controller will use group 2 parameters. RDS : when contact makes a defrost is started (remote control).
LSM	NON; MAN; DOR	Light control mode NON : light output not controlled. MAN : light output controlled through button (M) (if OAU=LG). DOR : light output switched on when door is opened (if OAU=LG).
OAU	NON; 0-1; LGT; 2CU; 2EU; AL0; AL1	AUX output operation NON : output disabled (always off). 0-1 : the relay contacts follow the on/standby state of controller. LGT : output enabled for light control. 2CU : output programmed for the control of an auxiliary compressor. 2EU : output enabled for the control of the electrical defrost of a second evaporator. AL0 : contacts open when an alarm condition occurs. AL1 : contacts make when an alarm condition occurs.
INP	SN4; ST1	Temperature sensor selection. With INP = SN4, the probes must be the LAE models SN4.; with INP = ST1, the probes must be the LAE models ST1...
OS1	-12.5..12.5°C	Probe T1 offset.
T2	NO/YES	Probe T2 enabling (evaporator).
OS2	-12.5..12.5°C	Probe T2 offset.
T3	NON; DSP; CND; 2EU	Auxiliary probe T3 operation NON: probe T3 not fitted. DSP: temperature T3 to be displayed. CND: condenser temperature measurement. 2EU: second evaporator temperature measurement.
OS3	-12.5..12.5°C	Probe 3 offset.
TLD	1...30 min	Delay for minimum temperature (TLO) and maximum temperature (THI) logging.
SIM	0...100	Display slowdown.
ADR	1...255	AR1-5 address for PC communication.

WIRING DIAGRAMS



TECHNICAL DATA

Power supply
AR1-5...D 12Vdc ±10%, 3W
AR1-5...W 110 - 230Vac±10%, 50/60Hz, 3W

Relay outputs
Compressor 12(5)A 240Vac
Evap. fans 7(2)A 240Vac
Defrost 7(2)A 240Vac
Auxiliary loads 7(2)A 240Vac

Inputs
NTC 10KΩ@25°C LAE part No. SN4...
PTC 1000Ω@25°C LAE part No. ST1...

Measurement Range
-50...120°C, -55...240°F
-50 / -9.9 ... 19.9 / 80°C (NTC10K only)

Measurement accuracy
<0.5°C within the measurement range

Real Time Clock battery
>150 hours; self-rechargeable

Operating conditions
-10 ... +50°C; 15%...80% r.H.

CE (Reference Norms)
EN60730-1; EN60730-2-9;
EN55022 (Class B);
EN50082-1

Front protection
IP55

lae
ELECTRONIC
VIA PADOVA, 25
31046 ODERZO /TV /ITALY
TEL. +39 - 0422 815320
FAX +39 - 0422 814073
www.lae-electronic.com
E-mail: sales@lae-electronic.com

AR1-5 BEDIENUNGSANLEITUNG

Wir danken Ihnen, dass Sie sich für ein Produkt der Firma LAE electronic entschieden haben. Lesen Sie vor der Installation des Gerätes bitte aufmerksam die vorliegende Bedienungsanleitung durch: Nur so können wir Ihnen höchste Leistungen und Sicherheit garantieren.

BESCHREIBUNG



Abb. 1 — Bedienteil

- Taste Info / Setpoint.
- Taste Manuelle Abtaung / Down.

ANGABEN

- Wärmeregelausgang
- Lüfterausgang
- Abtauungsausgang
- Aktivierung des 2. Parameter-Sets
- Alarm

- Taste Up / Manueller Modus.
- Taste Exit / Stand-by.

INSTALLATION

- Das Gerät in eine Bohrung der Abmessungen 71x29 mm einsetzen.
- Die Elektroanschlüsse ausführen (siehe hierzu die "Schaltpläne"). Zur Vermeidung von elektromagnetischen Störungen die Fühler und Signalkabel getrennt von den Starkstromleitern anbringen.
- Das Gerät mit den beiliegenden Halterungen an der Tafel mit leichtem Druck befestigen; falls vorhanden muss die Gummidichtung zwischen Geräterahmen und Tafel angebracht werden. Auf die korrekte Positionierung achten, um das geräterückseitige Eindringen von Flüssigkeiten zu vermeiden.
- Den Fühler T1 so in der Zelle positionieren, dass die Konservierungstemperatur des Produktes gut gemessen werden kann.
- Den Fühler T2 auf dem Verdampfer an der Stelle des maximalen Reifeansatzes befestigen.
- Die Funktionen des Fühlers T3 werden vom Parameter T3 bestimmt. Bei T3=DSP misst der Fühler die auf dem Display anzuzeigende Temperatur; bei T3=CND erfasst der Fühler die Verflüssigungstemperatur und muss somit zwischen den Rippen des Verflüssigungsatzes positioniert werden; bei T3=2EU misst der Fühler die Temperatur des zweiten Verdampfers und muss an der Stelle des maximalen Reifeansatzes befestigt werden; bei T3=NON ist der dritte Fühler deaktiviert.

BETRIEB

DISPLAYANZEIGEN

Im Normalbetrieb zeigt das Display die Messtemperatur oder einen der folgenden Werte an:

DEF Abtauung wird ausgeführt	HP Hochdruckalarm auf Verflüssiger
REC SW-Wiederherstellung nach Abtauung	HI Übertemperaturalarm in der Zelle
OFF Regler im Stand-by-Modus	LO Untertemperaturalarm in der Zelle
CL Anforderung der Verflüssigerreinigung	E1 Defekt in Fühler T1
DO Alarm für Tür offen	E2 Defekt in Fühler T2
HC Übertemperaturalarm auf Verflüssiger	E3 Defekt in Fühler T3

INFO-MENÜ

Die im Info-Menü abrufbaren Daten sind:

T1 Ist-Temperatur des Fühlers 1	THI Max. Messtemperatur des Fühlers 1
T2* Ist-Temperatur des Fühlers 2	TLO Min. Messtemperatur des Fühlers 1
T3* Ist-Temperatur des Fühlers 3	CND** Verdichterbetriebszeit in Wochen
MIN Minuten der Echtzeituhr	LOC Tastenzustand (Sperr)
HRS Stunden der Echtzeituhr	

*: Anzeige nur wenn T2 und / oder T3 in der Parameterebene aktiviert ist. **: Anzeige nur wenn ACC > 0 ist.

Zugriff auf das Menü und Datenanzeige

- Die Taste drücken und loslassen.
- Mit den Tasten oder die anzuzeigenden Daten wählen.
- Mit der Taste den Wert anzeigen.
- Zum Verlassen des Menüs die Taste drücken oder 10 Sekunden warten.

Reset der gespeicherten Werte THI, TLO, CND

- Mit den Tasten oder den zu resettierenden Wert wählen.
- Mit der Taste den Wert anzeigen.
- Die Taste gedrückt halten und gleichzeitig die Taste drücken.

SETPPOINT (Anzeige und Änderung des Sollwertes - gewünschter Temperaturwert)

- Die Taste mindestens für eine halbe Sekunde drücken, um den Sollwert anzuzeigen.
- Die Taste gedrückt halten und mit den Tasten oder den gewünschten Wert einstellen (die Regelung kann innerhalb des Mindestwertes SPL und Höchstwertes SPH erfolgen).
- Beim Loslassen der Taste wird der neue Wert gespeichert.

STAND-BY

Die Taste lässt, falls für 3 Sekunden gedrückt, den Regler auf verschiedene Betriebsmodi oder Stand-by umschalten (nur bei SB=YES).

TASTENSPERRE

Die Sperre der Tasten verhindert unerwünschte und potenziell schädliche Handlungen, sollte der Regler beispielsweise in einer öffentlich zugänglichen Umgebung positioniert sein. Zur Sperre aller Tastenbefehle den Parameter im INFO-Menü auf LOC=YES einstellen; zur Wiederherstellung aller Funktionen den Parameter auf LOC=NO setzen.

WAHL DES ZWEITEN PARAMETER-SETS

Die Regelparameter können anhand von zwei vorprogrammierten Sets in wenigen Augenblicken an verschiedene Bedingungen adaptiert werden. Der Übergang von Set I zu Set II kann manuell erfolgen, indem bei der Einstellung IISM=MAN die Taste für 2 Sekunden gedrückt wird, oder automatisch bei der Erfassung von extremen Betriebsbedingungen (IISM=HDD) oder wiederum beim Schließen des Hilfseinganges DI2 (IISM=DI2). Die Aktivierung des Parameter-Sets II wird durch Leuchten der zugehörigen LED auf dem Bedienteil gemeldet. Bei IISM=NON ist der Übergang zu Set II gesperrt.

EINSTELLUNGEN DER ECHTZEITUHR

Die Einstellungen der Echtzeituhr (RTC) können direkt innerhalb des Info Menüs vorgenommen werden (Vorgehensweise wie bei Veränderung des Sollwertes). Die Minuten werden von 0 bis 59 in 10er Schritten und die Stunden von 0 bis 23 eingestellt. Wenn die RTC Einstellung kurz bevor ein Stundenwechsel (11:59 ➔ 12:00) erfolgt, sollte die Korrektheit der Echtzeit nochmals überprüft werden. Die Echtzeituhr (RTC) wechselt nicht automatisch zwischen Winter und Sommerzeit, bitte beachten Sie, dass Sie während dieser Umstellungsperiode die Echtzeiteinstellungen kontrollieren.

ABTAUUNG

Automatische Abtauung. Die Abtauung startet automatisch zu fest einprogrammierten Zeitintervallen oder bei bis zu 6 einprogrammierten Uhrzeiten (bis zu sechs pro 24 Stunden).

- Intervallabtauung.** Bei DFM=TIM startet die Abtauung wenn der integrierte Timer die eingestellten Intervalle DFT erreicht hat. Beispiel: mit DFM=TIM und DFT=06, wird alle 6 Stunden eine Abtauung eingeleitet.
- Echtzeitabtauung.** Bei DFM=RTC startet die Abtauung bei den unter DH1...DH6 eingestellten Zeiten. Das Format der Zeiteinstellung ist "HH.M", wo HH die Stunden und M die Minuten in 10er Schritten angeben. Um ein oder mehrere (DH1...DH6) zu deaktivieren, muss bei dem jeweiligen DH... ein Wert von "--" parametrisiert werden. Um diesen Wert einzustellen, müssen Sie bei Erreichen des Wertes "23.5" nochmals die Taste betätigen. Die Einstellungen der 6 Abtauzeiten ist auf zwei Arten veränderbar: Zum einen in der Parameterebene (siehe Konfigurationsparameter) und zum anderen bei Betätigen der Abtautaste an der Front für 4 Sek. im normalen Betrieb.

Handabtauung oder Fernabtaustart. Bei DFM=TIM ist es möglich, eine Handabtauung durch Betätigen der für 4 Sek. einzuleiten. Bei DFM=RTC ist dies ebenso möglich jedoch wird in dieser Einstellung nach Betätigen der in der Front für 4 Sek. erst einmal der Parameter DH1 angezeigt und erst bei weiterem Betätigen der für 4 Sek. wird eine Handabtauung eingeleitet. Bei DI2=RDS wird ein Fernabtaustart eingeleitet sobald der digitale Eingang DI2 geschlossen wird.

Abtautyp. Nach dem Start der Abtauung werden die Verdichter- und Abtauungsausgänge gemäß Parameter DTY angesteuert. Bei FID=YES sind die Verdampferlüfter während der Abtauung aktiviert.

Abtauende. Die effektive Abtauendauer wird von einigen Parametern beeinflusst.

- Zeitgesteuerte Abtauung:** T2=NO und T3 ist unterschieden von 2EU: Die Verdampfertemperatur wird nicht überwacht; die Abtauung hat immer eine Dauer gleich der Zeit DTO.
- Temperaturüberwachung auf einem Verdampfer:** T2=YES und T3 ist unterschieden von 2EU: Erreicht der Fühler T2 die Temperatur DLI innerhalb der Zeit DTO, wird die Abtauung vorzeitig gestoppt.

Temperaturüberwachung auf zwei Verdampfern:

T2=YES, T3=2EU, OAU=2EU: Dieser Modus sieht die unabhängige Steuerung zweier Verdampfer vor; innerhalb der Zeit DTO, in der beide Verdampferheizelemente die festgelegte Temperatur erreichen müssen, wird dabei jenes Verdampferheizelement zuerst ausgeschaltet, das die Temperatur DLI zuerst erreicht (siehe Abbildung).

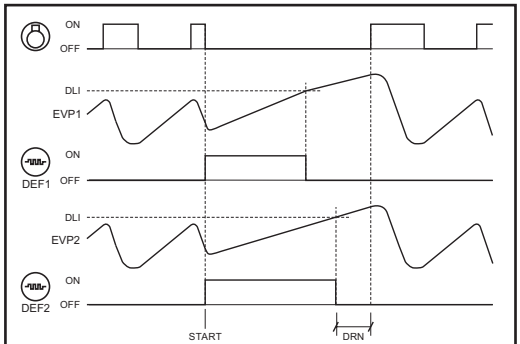
Wiederaufnahme des Wärmeregelausgangs. Nach einer Abtauung bleiben alle Ausgänge, falls DRN über Null liegt, für DRN Minuten ausgeschaltet, damit das Eis schmelzen und das Wasser abfließen kann. Bei aktivem Fühler T2 (T2=YES) starten die Lüfter erneut, sobald die Verdampfertemperatur unter dem Wert FDD liegt; ist der Fühler T2 nicht aktiv (T2=NO) oder stellt sich diese Bedingung nach Beendigung einer Abtauung nicht innerhalb der Zeit FTO ein, werden die Lüfter nach Verstreichen von FTO trotzdem neu gestartet.

Achtung: Bei DFM=NON oder C-H=HEA sind alle Abtaufunktionen gesperrt; bei DFT=0 ist die automatische Abtauung ausgeschlossen, während eines Hochdruckalarms wird die Abtauung unterbrochen; während einer Abtauung ist der Übertemperaturalarm gesperrt.

KONFIGURATIONSPARAMETER

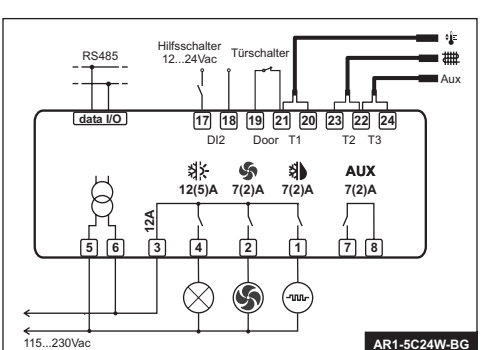
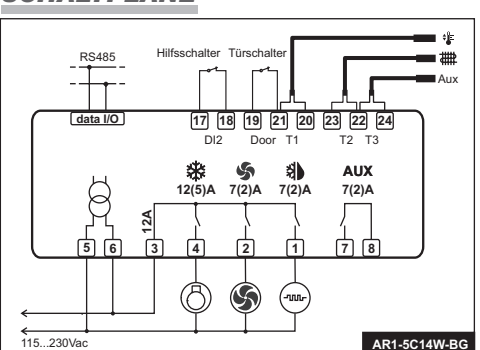
- Für den Zugriff auf das Konfigurationsmenü die Tasten + für 5 Sekunden drücken.
- Mit den Tasten oder den zu ändernden Parameter wählen.
- Mit der Taste den Wert anzeigen.
- Die Taste gedrückt halten und mit den Tasten oder den gewünschten Wert einstellen.
- Beim Loslassen der Taste wird der neue Wert gespeichert und der nächste Parameter angezeigt.
- Zum Verlassen des Menüs die Taste drücken oder 30 Sekunden warten.

PAR	BEREICH	BESCHREIBUNG
SCL	1°C; 2°C; °F	Anzeigeskala. 1°C (nur bei INP=SN4): Messbereich -50/-9.9 ... 19.9/80°C. 2°C : Messbereich -50 ... 120°C. °F : Messbereich -55 ... 240°F. <i>Achtung: Bei der Änderung des Wertes SCL müssen die Parameter der absoluten und relativen Temperaturen (SPL, SPH, SP, ALA, AHA, usw.) unbedingt neu konfiguriert werden.</i>
SPL	-50...SPH	Mindestgrenzwert für die Regelung von SP.
SPH	SPL..120°	Höchstgrenzwert für die Regelung SP.
SP	SPL... SPH	Schalttemperatur (Wert, der in der Zelle beibehalten werden soll).
C-H	REF; HEA	Kühlmodus (REF) oder Heizmodus (HEA).
HYS	1...10°	OFF/ON-Schalthysterese des Thermostaten. Kühlregelung (C-H=REF) Heizregelung (C-H=HEA)
CRT	0...30Min	Verdichterstopptzeit. Eine Neuaktivierung des Ausganges kann nur nach Verstreichen von CRT Minuten nach dem vorherigen Ausschalten erfolgen. Empfohlene Werte: CRT=03 bei HYS<2.0°.
CT1	0...30Min	Aktivierungszeit des Wärmeregelausganges während einer Funktionsstörung des Fühlers T1. Bei CT1=0 ist der Ausgang immer OFF.
CT2	0...30Min	Stopptzeit des Wärmeregelausganges während einer Funktionsstörung des Fühlers T1. Bei CT2=0 und CT1>0 ist der Ausgang immer ON. <i>Beispiel: CT1=4, CT2= 6:</i> Im Fall eines Defektes des Fühlers T1 arbeitet der Verdichter mit 4-minütigen ON-Zyklen und 6-minütigen OFF-Zyklen.
CSD	0..30Min	Verzögerung des Verdichterstopps nach Türöffnung (aktiv nur bei DS = YES).
2CD	0...120Sek	Einschaltverzögerung des zweiten Verdichters. Bei OAU = 2CU wird der Hilfsausgang 2CD Sekunden nach dem Start des ersten Verdichters aktiviert. Das Ausschalten der Verdichter erfolgt hingegen immer gleichzeitig.
DFM	NON; TIM; RTC	Startmodus eines Abtauzyklus. NON : Die Abtaufunktion wird deaktiviert (<i>der nächste Parameter ist FID</i>). TIM : Intervallabtauung RTC : Echtzeitabtauung bei bis zu 6 Zeitvorgaben DH1, DH2...DH6.
DFT	0...99 St.	Timerwert, nach dessen Erreichen ein Abtauzyklus gestartet wird.
DH1	HH.M	Echtzeitabtauung für DH1. Die einzustellende Zeit geht von 00.0 bis 23.5. Wählt man einen Wert über 23.5 erscheint "--" somit ist die Zeiteinstellung für den jeweiligen DH Parameter ausgeschlossen. <i>Beispiel: DH1=8.3</i> bedeutet, dass die Abtauung morgens um 8:30 beginnt.
DH2	HH.M	Echtzeitabtauung für DH2
DH3	HH.M	Echtzeitabtauung für DH3
DH4	HH.M	Echtzeitabtauung für DH4
DH5	HH.M	Echtzeitabtauung für DH5
DH6	HH.M	Echtzeitabtauung für DH6
DLI	-50...120°	Abtauendtemperatur
DTO	1...120Min	Maximale Abtauendauer.
DTY	OFF; ELE; GAS	Abtautyp. OFF: Abtauung bei Stopp (Verdichter und Abtauheizung OFF). ELE: Elektrische Abtauung (Verdichter OFF und Abtauheizung ON). GAS: Heißgasabtauung (Verdichter und Abtauheizung ON).
DRN	0...30Min	Pause nach Abtauung (Abtropfphase des Verdampfers).
DDY	0...60Min	Displayanzeige während Abtauung. Bei DDY=0 zeigt das Display während einer Abtauung auch weiterhin die Temperatur an. Bei DDY > 0 zeigt das Display während einer Abtauung die Zeichen DEF und nach Beendigung dieser die Zeichen REC für DDY Minuten an.
FID	NO/YES	Lüfteraktivierung während der Abtauung.
FDD	-50...120°	Temperatur für den Neustart der Verdampferlüfter nach einer Abtauung.
FTO	0...120Min	Dauer des maximalen Verdampferlüfterstopps nach einer Abtauung.
FTC	NO/YES	Aktivierung der optimierten Lüftersteuerung. Bei FTC=NO bleiben die Lüfter immer eingeschaltet. Abb. 2 — Optimierte Lüftersteuerung (FTC=YES).
FT1	0...180Sek	Ausschaltverzögerung der Lüfter nach Verdichterstop. Siehe Abb. 2.



FT2	0...30Min	Lüfterstopp mit Timer. Bei FT2=0 bleiben die Lüfter immer eingeschaltet.
FT3	0...30Min	Lüfterbetrieb mit Timer. Bei FT3=0 und FT2 > 0 bleiben die Lüfter immer ausgeschaltet.
ATM	NON; ABS; REL	Alarmschwellen. NON: Alle Temperaturalarne sind gesperrt (<i>der nächste Parameter ist ADO</i>). ABS: Die in ALA und AHA programmierten Werte stellen die effektiven Alarmschwellen dar. REL: Die in ALR und AHR programmierten Werte sind die Alarmdifferenziale für SP und SP+HYS. Temperaturalarm mit entsprechenden Alarmschwellen in Kühlregelung (ATM=REL, C-H=REF). Temperaturalarm mit entsprechenden Alarmschwellen in Heizregelung (ATM=REL, C-H=HEA).
ALA	-50... 120°	Alarmschwelle für Untertemperatur.
AHA	-50... 120°	Alarmschwelle für Übertemperatur.
ALR	-12... 0°	Alarmdifferential für Untertemperatur. Bei ALR=0 wird der Untertemperaturalarm ausgeschlossen.
AHR	0... 12°	Alarmdifferential für Übertemperatur. Bei AHR=0 wird der Übertemperaturalarm ausgeschlossen.
ATI	T1; T2; T3	Wahl des Bezugfühlers für Temperaturalarne.
ATD	0... 120Min	Verzögerung der Temperaturalarmmeldung.
ADO	0... 30Min	Verzögerung der Alarmmeldung für Tür offen.
AHM	NON; ALR; STP;	Betriebsmodus bei Verflüssigeralarm. NON : Sperre des Verflüssigeralarms. ALR : Im Alarmfall blinken auf dem Display die Zeichen "HC" und wird der Summer aktiviert. STP : Die Alarmanzeigen werden ausgelöst und der Verdichter und die Abtauungen gestoppt.
AHT	-50...120°	Verflüssigungstemperaturalarm (er wird vom Fühler T3 gemessen).
ACC	0...52 Wochen	Periodische Verflüssigerreinigung. Sobald die Verdichterbetriebszeit (in Wochen) den Wert ACC erreicht, blinken auf dem Display die Zeichen "CL". Bei ACC=0 wird die Verflüssigerreinigungsmeldung ausgeschlossen.
HDS	1...5	Ansprechvermögen des Reglers für den automatischen Übergang von Set 1 zu Set 2 (1=min. 5=max.)
IISM	NON; MAN; HDD; DI2	Übergang zum 2. Parameter-Set. NON: Sperre des 2. Parameter-Sets (<i>der nächste Parameter ist SB</i>). MAN: Aktivierung der Taste für die Umschaltung der beiden Parameter-Sets. HDD: Automatischer Übergang zum 2. Parameter-Set bei der Erfassung von extremen Betriebsbedingungen. DI2: Übergang zum 2. Parameter-Set beim Schließen des Hilfseinganges DI2.
IISL	-50...IISH	Mindestgrenzwert für die Regelung von IISP.
IISH	IISL...120°	Höchstgrenzwert für die Regelung IISP.
IISP	IISL... IISH	Sollwert in Modus 2.
IHY	1...10°	OFF/ON-Schalthysterese in Modus 2.
IIFT	NO/YES	Aktivierung der optimierten Lüftersteuerung in Modus 2.
IIDF	0...99 St.	Stundenzählerwert für den Start eines Abtauzyklus in Modus 2.
SB	NO/YES	Aktivierung der Stand-by-Taste .
DS	NO/YES	Aktivierung des Türeingangsfühlers (geschlossen bei Tür geschlossen).
DI2	NON; HPS; IISM; RDS	Funktionen des digitalen Einganges DI2. NON : Digitaler Eingang 2 nicht aktiv. HPS: Bei der Öffnung wird ein Hochdruckalarm im Verflüssigersatz ausgelöst. IISM: Beim Schließen des Kontaktes verwendet der Regler als Bezug die Parameter des 2. Sets. RDS : Beim Schließen des Kontaktes wird eine Abtauung gestartet (Remote-Steuerung).
LSM	NON; MAN; DOR	Lichtsteuerung. NON : Keine Lichtsteuerung. MAN : Lichtausgangssteuerung mittels Taste (bei OAU=LGT). DOR : Lichtausgang aktiviert bei Türöffnung (bei OAU=LGT).
OAU	NON; 0-1; LGT; 2CU; 2EU; AL0; AL1	Funktionen des Hilfsausganges AUX. NON : Ausgang deaktiviert (immer ausgeschaltet). 0-1 : Die Relaiskontakte folgen dem ON-/Stand-by-Zustand des Reglers. LGT : Ausgang für Lichtsteuerung aktiviert. 2CU : Ausgang für die Ansteuerung eines zweiten Verdampfers programmiert. 2EU : Ausgang für die elektrische Abtauung des zweiten Verdampfers aktiviert. AL0 : Öffnung der Kontakte im Alarmfall. AL1 : Schließung der Kontakte im Alarmfall.
INP	SN4; ST1	Wahl des Temperaturfühlers. Bei INP=SN4 müssen die Fühler den Modellen LAE SN4.. entsprechen; bei INP=ST1 den Modellen LAE ST1...
OS1	-12.5..12.5°C	Messwertkorrektur des Fühlers T1.
T2	NO/YES	Aktivierung des Fühlers T2 (Verdampfer).
OS2	-12.5..12.5°C	Messwertkorrektur des Fühlers T2.
T3	NON; DSP; CND; 2EU	Funktionen des Hilfsfühlers T3. NON: Fühler T3 nicht vorhanden. DSP: Displayanzeige des Temperaturmesswertes T3. CND: Messung der Verflüssigungstemperatur. 2EU: Messung der Temperatur des zweiten Verdampfers.
OS3	-12.5..12.5°C	Messwertkorrektur des Fühlers 3.
TLD	1...30 Min	Verzögerung der Mindesttemperatur- (TLO) und Höchsttemperaturspeicherung (THI).
SIM	0...100	Displayverlangsamung.
ADR	1...255	Adresse von AR1-5 für Kommunikation mit einem PC.

SCHALTPLÄNE



AR1-5



INSTRUCTIONS FOR USE BEDIENUNGSANLEITUNG

lae
ELECTRONIC

VIA PADOVA, 25
31046 ODERZO /TV /ITALY
TEL. +39 - 0422 815320
FAX +39 - 0422 814073
www.lae-electronic.com
E-mail: sales@lae-electronic.com

TECHNISCHE DATEN

Spannungsversorgung

AR1-5...D 12Vdc ±10%, 3W
AR1-5...W 110 - 230Vac±10%, 50/60Hz, 3W

Relaisausgänge

Verdichter 12(5)A 240Vac
Verdampferlüfter 7(2)A 240Vac
Abtauung 7(2)A 240Vac
Hilfsausgänge 7(2)A 240Vac

Eingänge

NTC 10KΩ@25°C LAE-Code SN4...
PTC 1000Ω@25°C LAE-Code ST1...

Messbereich

-50...120°C, -55...240°F
-50 / -9.9 ... 19.9 / 80°C (nur bei NTC10K)

Messgenauigkeit

<0.5°C im Messbereich

Batteriepuffer Echtzeituhr

> 150 Stunden; Selbstaufladend

Betriebsbedingungen

-10 ... +50°C; 15%...80% r.F.

CE (Bezugsnormen)

EN60730-1; EN60730-2-9;
EN55022 (Klasse B);
EN50082-1

Frontschutzart

IP55

AR1-5
INSTRUCTIONS FOR USE
BEDIENUNGSANLEITUNG



0LAR1001-01